



TYLÖ RESERVDELSKATALOG

Bastuaggregat

Ånggeneratorer

Manöverpaneler

Reläboxar

Impression

Stella / Vista

Dörrar

Belysning

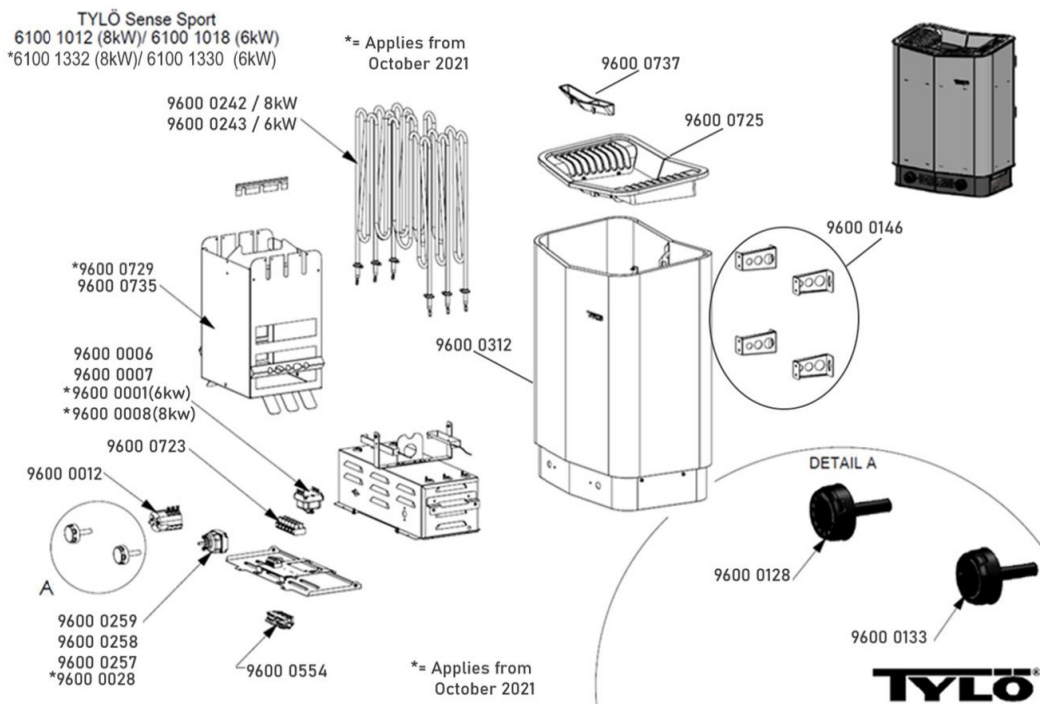
Infrakabiner

TYLÖ

TYLÖ

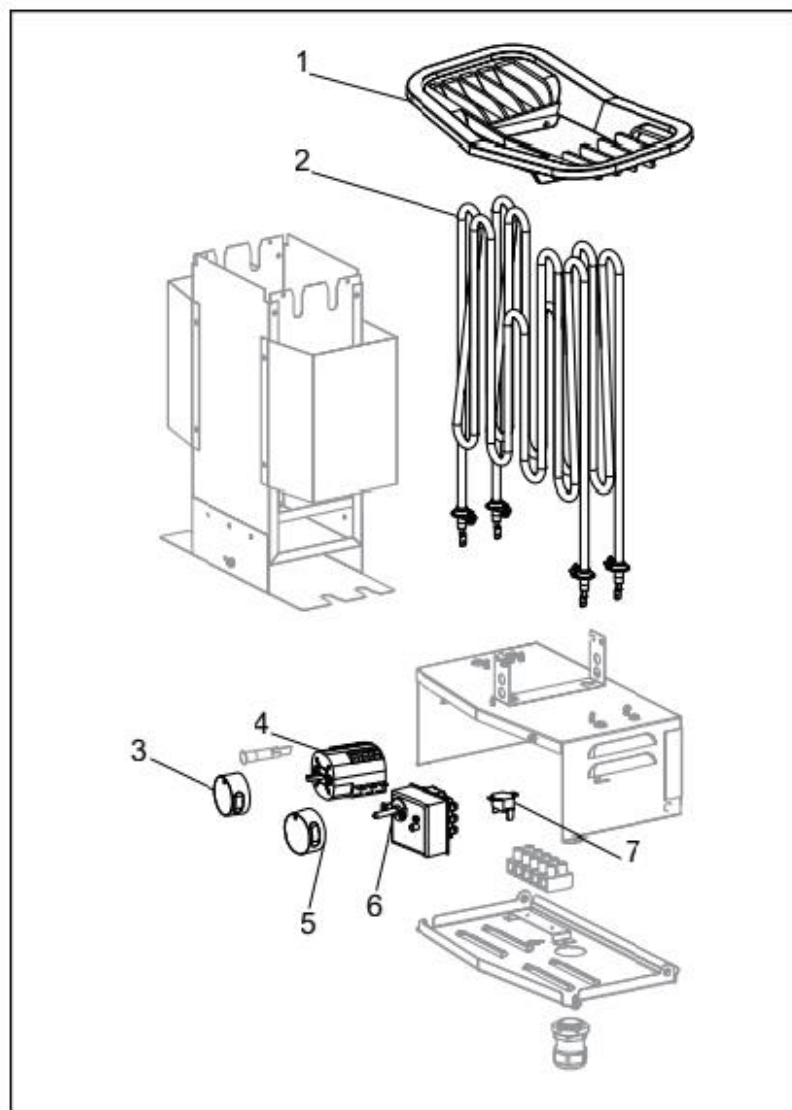
SENSE SPORT

Art Nr:	E-Nummer:	Description:	Valid from/to:
* 96000001		TEMP.SKYDD SVART 80°C 3POL 6,6kW	2021/10-
96000006	9301310	TEMP.SKYDD 55.31522.360	2014/01 -2018/04
96000007	9301311	TEMP.SKYDD 55.33522.160 3POL	2018/05-2021/09
* 96000008		TEMP.SKYDD GUL 90°C 3POL 8kW	2021/10-
* 96000012	9300030	TIMER 6POL 9+3H FAUCIGNY 2654	2012/08-
* 96000028	9301313	TERMOSTAT EGO 5534012.810	2021/10-
96000106		TIMER KNOB TYLÖ	2012- 2014
96000107		THERMOSTAT KNOB TYLÖ	2012- 2014
* 96000128	9301321	TIMER KNOB TYLÖ V2	2014 -
* 96000133	9301323	THERMOSTAT KNOB TYLÖ V2/V3	2014 -
* 96000146		KONSOL 3-20 (4-PACK)	2013/05 -
96000177		RÖRELEMENT 8kW (3 PACK)	2012- 2014/10
96000178		RÖRELEMENT 6kW (3 PACK)	2012- 2014/10
* 96000242	9301329	RÖRELEMENT 19,9 OHM (3 PACK)	2014/10 -
* 96000243	9301330	RÖRELEMENT 24,7 OHM (3 PACK)	2014/10 -
96000257		TERMOSTAT EGO 55.34012.380	2014/10-2021/09
96000258		THERMOSTATE/Temp. limit. COTHERM	2012- 2014/01
96000259		TERMOSTAT EGO 55.34019.370	2014/01 -2014/10
* 96000312		DESIGN COVER SENSE SVART 6-10	2014/10-
* 96000554		DRAGAVLASTNING	2012-
* 96000723		KOPPLINGSPLINT 16MM 6 POL	2012 -
* 96000725		TYLÖ GRILL SENSE 6-10 KW	2012 -
* 96000729		STENMAGASIN SENSE 6-10 KW	2021/09-
96000735		STONE RESERVOIR SENSE/CURVE	2014/01-2021/09



SENSE SPORT 2/4

Art Nr:	E-Nummer:	Beskrivning:	Gäller från/till:
96000900		GALLER SENSE 2/4	2019
96000902		RÖRELEMENT 24.7 OHM (2 PACK)	2019
96000904		TIMER VRED SENSE 2/4	2019
96000012	9300030	TIMER 6POL 9+3H FAUCIGNY 2654	2019
96000906		TERMOSTATVRED SENSE 2/4	2019
96000908		TERMOSTAT 55.34029.030.	2019
96000914		SÄKERHETSTERMOSTAT SENSE 2/4	2019

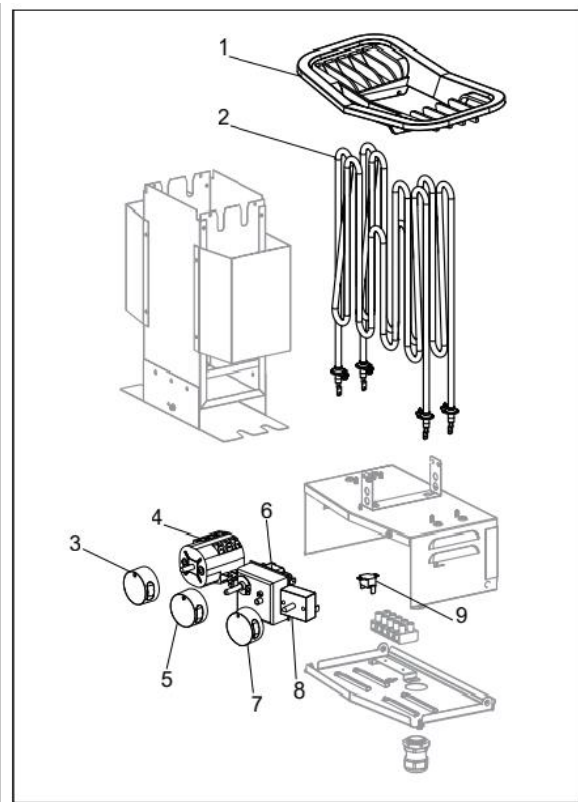


1. 9600 0900 Grille
2. 9600 0902 2 x 2.2 kW Tubular element
3. 9600 0904 Timer dial
4. 9600 0012 Timer 9+3 6-pole
5. 9600 0906 Thermostat dial
6. 9600 0908 Thermostat
7. 9600 0914 Safety thermostat

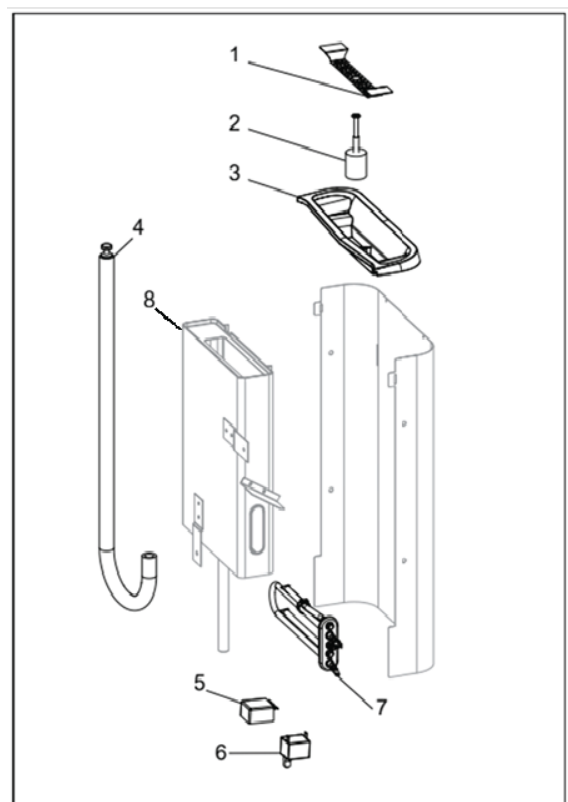


SENSE COMBI SPORT 4

Art Nr:	E-Nummer:	Description:	Valid from/to:
96000900		GALLER SENSE 2/4	2019
96000902		RÖRELEMENT 24.7 OHM (2 PACK)	2019
96000904		TIMER VRED SENSE 2/4	2019
96000012	9300030	TIMER 6POL 9+3H FAUCIGNY 2654	2019
96000906		TERMOSTATVRED SENSE 2/4	2019
96000908		TERMOSTAT 55.34029.030.	2019
96000910		ÅNGVRED SENSE 2/4	2019
96000912		LÄGESVÄLJARE SENSE 2/4	2019
96000914		SÄKERHETSTERMOSTAT SENSE 2/4	2019
96000915		VATTENTANK SPORT COMBI 4	2019
96000916		ÖRTSIL SPORT COMBI	2019
96000918		FLOTTÖR SENSE SPORT COMBI	2019
96000920		PÅFYLLNADSGALLER SENSE SPORT COMBI	2019
96000731		SLANG MED PLUGG	2019
96000922		SAFETY THERMOSTAT SENSE 2/4	2019
96000924		THERMOSTAT TANK SENSE SPORT COMBI	2019



1. 9600 0900 Grille
2. 9600 0902 / 2 x 2,2 kW Tubular element
3. 9600 0904 Timer dial
4. 9600 0012 Timer 9+3 6-pole
5. 9600 0906 Thermostat dial
6. 9600 0908 Thermostat
7. 9600 0910 Steam dial
8. 9600 0912 Mode selector switch
9. 9600 0914 Safety thermostat

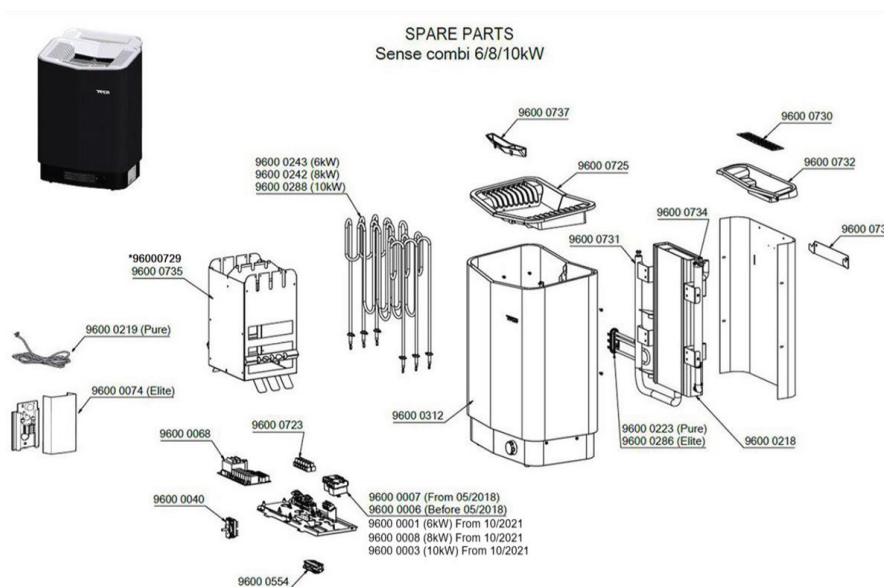


1. 9600 0916 Herb Grille
2. 9600 0918 Float
3. 9600 0920 Filler grille
4. 9600 0731 Hose with plug
5. 9600 0922 Thermostat reservoir
6. 9600 0924 Temp. cut-out reservoir
7. 9600 0926 Tubular element
8. Water tank with element



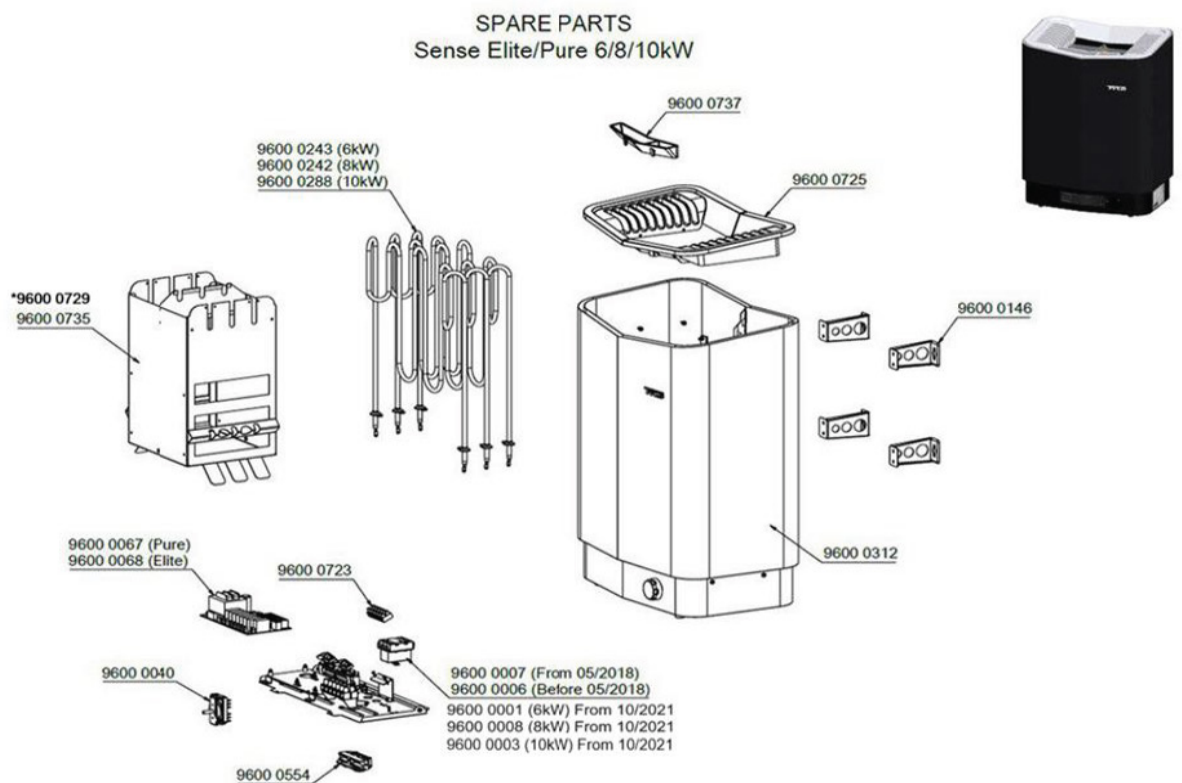
SENSE COMBI ELITE/PURE

Art Nr:	E-Nummer:	Description:	Valid from/to:
* 96000001		TEMP.SKYDD SVART 80°C 3POL 6,6kW	2021/10-
* 96000003	9300027	TEMP.SKYDD 122-9°C 3POL	2018/05-
96000006	9301310	TEMP.SKYDD 55.31522.360	2016-2018/04
96000007	9301311	TEMP.SKYDD 55.33522.160 3POL	2018/05-2021/10
* 96000008		TEMP.SKYDD GUL 90°C 3POL 8kW	2021/10-
* 96000016		SÄKRINGSHÅLLARE	2021/10
* 96000017		GLASSÄKRING 1A 250VAC 3-PACK	2021/10
* 96000018		GLASSÄKRING 10A 250VAC 3-PACK	2021/10
* 96000040	9300039	STRÖMBRYTARE GOTTAK 6POL	2016-
* 96000068	9301316	RELÄKORT HIGH	2016-
* 96000074	9301320	TEMP/FUKTGIVARE NM	2016-
* 96000132	9301322	ON / OFF KNOB TYLÖ V2	2016-
* 96000218		COMBI TANK SENSE PURE/ELITE	2016-
* 96000219	9301326	TEMP SENSOR 10KOHM 4,0M RJ10	2016-
* 96000223		RÖRELEMENT SENSE COMBI 1,3kW	2016-
* 96000242	9301329	RÖRELEMENT 19,9 OHM (3 PACK)	2016-
* 96000243	9301330	RÖRELEMENT 24,7 OHM (3 PACK)	2016-
* 96000286	9301338	RÖRELEMENT COMBI ELITE 2,2kW	2016-
* 96000288	9301339	RÖRELEMENT 15 OHM (3 PACK) 10KW	2016-
* 96000312		DESIGN COVER SENSE SVART 6-10	2016-
* 96000554		DRAGAVLASTNING	2016-
* 96000262	9301332	RJ10 KABEL TEMP/FUKT 4M.	2016-
* 96000723		KOPPLINGSPLINT 16MM 6 POL	2016-
* 96000725		TYLÖ GRILL SENSE 6-10 KW	2016-
* 96000729		STENMAGASIN SENSE 6-10 KW	2021/10-
* 96000730		ÖRTSIL	2016-
* 96000731		SLANG MED PLUGG	2016-
* 96000732		PÅFYLLNADSGALLER SENSE COMBI	2016-
* 96000733		VÄGGKONSOL SENSE COMBI	2016-
* 96000734	9301340	ELEKTRODER	2016-
96000735		STONE RESERVOIR SENSE/CURVE	2016-2021/10



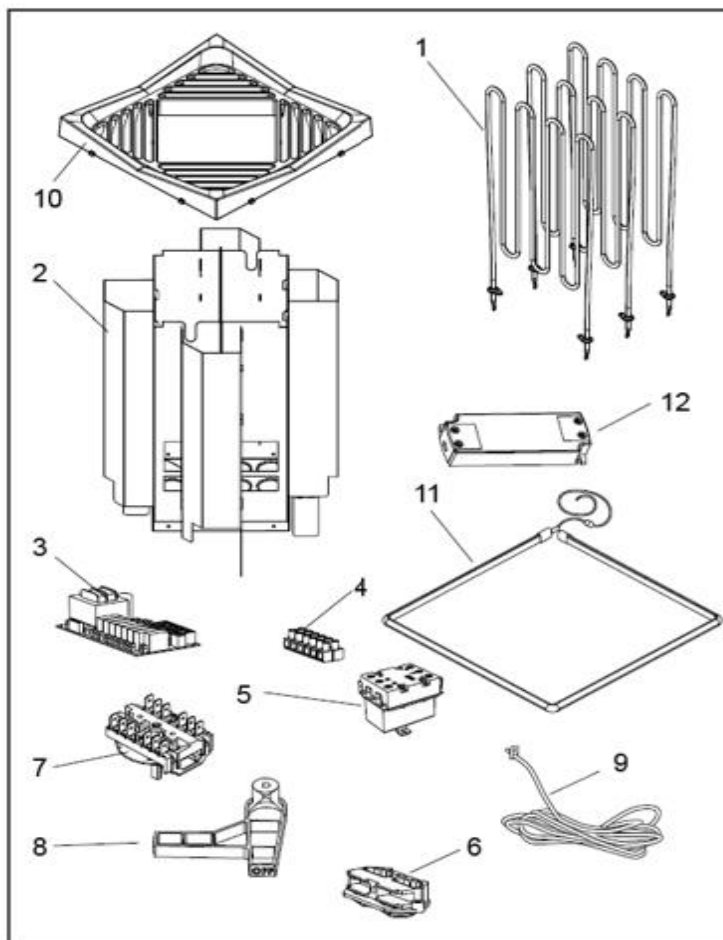
SENSE PURE / ELITE

Art Nr:	E-Nummer:	Description:	Valid from/to:
* 96000001		TEMP.SKYDD SVART 80°C 3POL 6,6kW	2021/10-
96000003	9300027	TEMP.SKYDD 122-9°C 3POL	2021/10-
96000006	9301310	TEMP.SKYDD 55.31522.360	-201804
96000007	9301311	TEMP.SKYDD 55.33522.160 3POL	2018/05-2021/10
* 96000008		TEMP.SKYDD GUL 90°C 3POL 8kW	2021/10-
* 96000016		SÄKRINGSHÅLLARE	2021/10-
* 96000017		GLASSÄKRING 1A 250VAC 3-PACK	2021/10-
* 96000018		GLASSÄKRING 10A 250VAC 3-PACK	2021/10-
* 96000040	9300039	STRÖMBRYTARE GOTTAK 6POL	2014-
* 96000067	9301315	RELÄKORT LOW	2014-
* 96000068	9301316	RELÄKORT HIGH	2014-
* 96000132	9301322	ON / OFF KNOB TYLÖ V2	2014-
* 96000242	9301329	RÖRELEMENT 19,9 OHM (3 PACK)	2014-
* 96000243	9301330	RÖRELEMENT 24,7 OHM (3 PACK)	2014-
* 96000288	9301339	RÖRELEMENT 15 OHM (3 PACK) 10KW	2014-
* 96000219	9301326	TEMP SENSOR 10KOHM 4,0M RJ10	2014-
* 96000554		DRAGAVLASTNING	2014-
* 96000723		KOPPLINGSPLINT 16MM 6 POL	2014-
* 96000729		STENMAGASIN SENSE 6-10 KW	2021/10-
96000735		STONE RESERVOIR SENSE/CURVE	2014-2021/09
* 96000312		DESIGN COVER SENSE SVART 6-10	2014-



CROWN ELITE 6-10kW

Art Nr:	E-Nummer:	Description:	Valid from/to:
96000001		TEMP.SKYDD SVART 80°C 3POL 6,6kW	2024-
96000008		TEMP.SKYDD GUL 90°C 3POL 8kW	2023-
96000010		TEMP.SKYDD RÖD 100°C 3POL 10kW	2023-
96000016		SÄKRINGSHÅLLARE	2023-
96000017		GLASSÄKRING 1A 250VAC 3-PACK	2023-
96000018		GLASSÄKRING 10A 250VAC 3-PACK	2023-
96000040	9300039	STRÖMBRYTARE GOTTAK 6POL	2023-
96000068	9301316	RELÄKORT HIGH	2023-
96000219	9301326	TEMP SENSOR 10KOHM 4,0M RJ10	2023-
96000554		DRAGAVLASTNING	2023-
96000723		KOPPLINGSPLINT 16MM 6 POL	2023-
96001000		GALLER CROWN	2023-
96001002		STENMAGASIN CROWN 6-10 KW	2023-
96001004		RÖRELEMENT CROWN 6 KW (3 PACK)	2023-
96001006		RÖRELEMENT CROWN 8 KW (3 PACK)	2023-
96001008		RÖRELEMENT CROWN 10 KW (3 PACK)	2023-
96001010		ON/OFF VRED CROWN	2023-
96001012		LED CROWN 1300 MM	2023-
96001014		TRAFO LED SE20-12VF-1	2023-



1. 9600 1004 / 6 kW Heating Elements
9600 1006/ 8 kW Heating Elements
9600 1008 / 10.8 kW Heating Elements
2. 9600 1002 Stone compartment
3. 9600 0068 Circuit board
4. 9600 0723 Terminal block
5. 9600 0001 Temperature cut-out heater 6kW
9600 0008 Temperature cut-out heater 8kW
9600 0010 Temperature cut-out heater 10kW
6. 9600 0554 Strain relief connector
7. 9600 0040 Switch, Gottak
8. 9600 1010 On/off dial
9. 9600 0219 Temp Sensor
10. 9600 1000 Grille
11. 9600 1012 LED Lights
12. 9600 1014 12 volts DC Transformer



CROWN COMBI ELITE 6-10kW

Art Nr:	E-Nummer:	Description:	Valid from/to:
96000001		TEMP.SKYDD SVART 80°C 3POL 6,6kW	2023-
96000008		TEMP.SKYDD GUL 90°C 3POL 8kW	2023-
96000010		TEMP.SKYDD RÖD 100°C 3POL 10kW	2023-
96000016		SÄKRINGSHÅLLARE	2023-
96000017		GLASSÄKRING 1A 250VAC 3-PACK	2023-
96000018		GLASSÄKRING 10A 250VAC 3-PACK	2023-
96000040	9300039	STRÖMBRYTARE GOTTAK 6POL	2023-
96000068	9301316	RELÄKORT HIGH	2023-
96000074	9301320	TEMP/FUKTGIVARE NM	2023-
96000286	9301338	RÖRELEMENT COMBI ELITE 2,2kW	2023-
96000554		DRAGAVLASTNING	2023-
96000723		KOPPLINGSPLINT 16MM 6 POL	2023-
96000924		THERMOSTAT TANK SENSE SPORT COMBI	2023-
96001000		GALLER CROWN	2023-
96001002		STENMAGASIN CROWN 6-10 KW	2023-
96001004		RÖRELEMENT CROWN 6 KW (3 PACK)	2023-
96001006		RÖRELEMENT CROWN 8 KW (3 PACK)	2023-
96001008		RÖRELEMENT CROWN 10 KW (3 PACK)	2023-
96001010		ON/OFF VRED CROWN	2023-
96001012		LED CROWN 1300 MM	2023-
96001014		TRAFÖ LED SE20-12VF-1	2023-
96001016		ÖRTSIL CROWN COMBI	2023-
96001018		PÅFYLLNADSGALLER CROWN COMBI	2023-
96001020		COMBI TANK CROWN	2023-
96001022		ELEKTRODER CROWN	2023-
96001024		SLANG MED VENTIL CROWN	2023-
96001026		TÖMNINGSLUCKA SVART CROWN	2023-

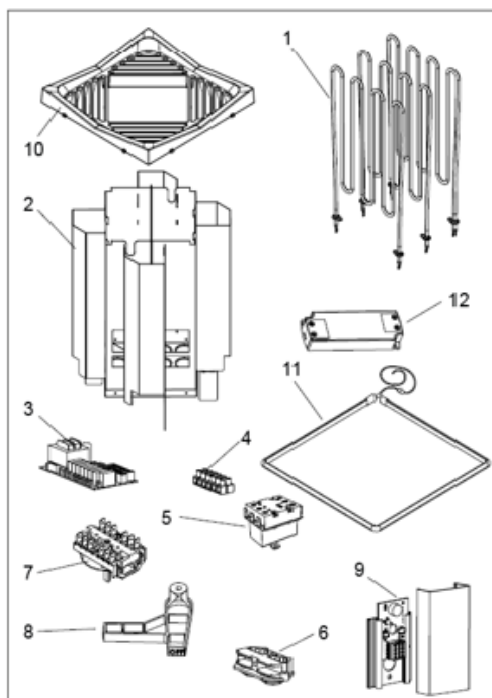


Figure 10: Spare parts

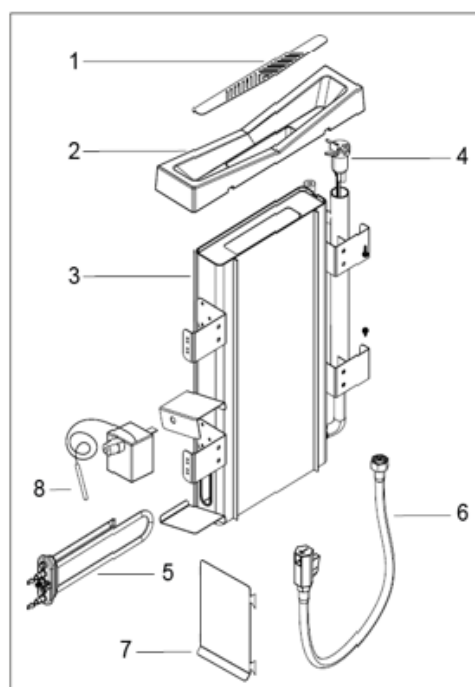


Figure 11: Spare parts 2

- 9600 1004 / 6 kW Heating Elements
9600 1006/ 8 kW Heating Elements
9600 1008 / 10.8 kW Heating Elements
- 9600 1002 Stone compartment
- 9600 0068 Circuit board
- 9600 0723 Terminal block
- 9600 0001 Temperature cut-out heater 6kW
9600 0008 Temperature cut-out heater 8kW
9600 0010 Temperature cut-out heater 10kW
- 9600 0554 Strain relief connector
- 9600 0040 Switch, Gottak
- 9600 1010 On/off dial
- 9600 0074 Temp sensor
- 9600 1000 Grille
- 9600 1012 LED Lights
- 9600 1014 12 volts DC Transformer

- 9600 1016 Herb Strainer
- 9600 1018 Cover Water Reservoir
- 9600 1020 Water reservoir
- 9600 1022 Electrodes
- 9600 0236 Heating Element
- 9600 1024 Emptying Hose
- 9600 1026 Emptying Hatch
- 9600 0924 Temperature cut-out Water reservoir



CROWN COMMERCIAL 8/10

Art Nr:	E-Nummer:	Description:	Valid from/to:
96000008		TEMP.SKYDD GUL 90°C 3POL 8kW	2023-
96000010		TEMP.SKYDD RÖD 100°C 3POL 10kW	2023-
96000019		OLET 31 SVART	2023-
96000554		DRAGAVLASTNING	2023-
96001000		GALLER CROWN	2023-
96001002		STENMAGASIN CROWN 6-10 KW	2023-
96001006		RÖRELEMENT CROWN 8 KW (3 PACK)	2023-
96001008		RÖRELEMENT CROWN 10 KW (3 PACK)	2023-
96001012		LED CROWN 1300 MM	2023-
96001014		TRAFO LED SE20-12VF-1	2023-

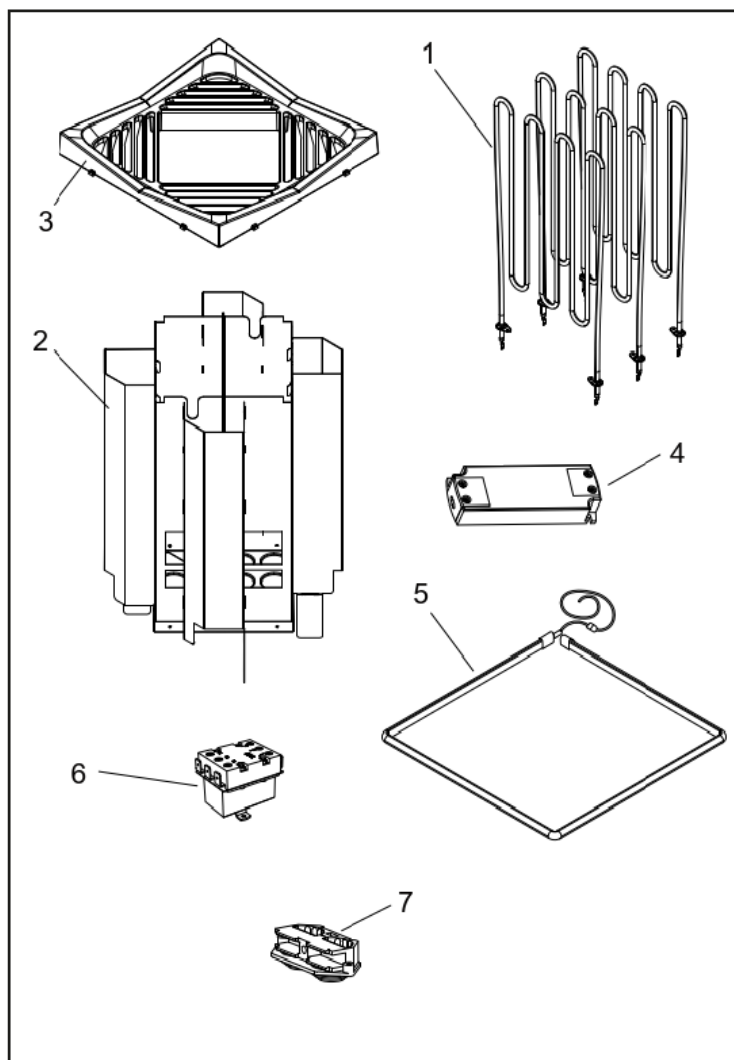


Figure 3: Spare parts

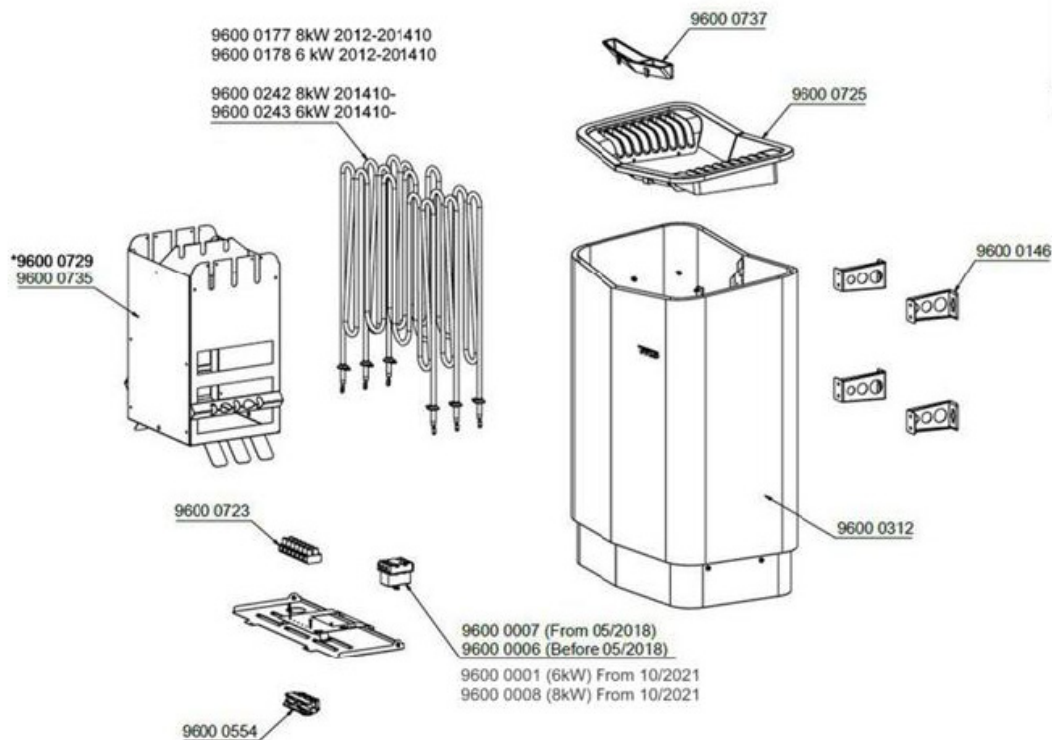
1. 9600 1006/ 8 kW Heating Elements
9600 1008 / 10.8 kW Heating Elements
2. 9600 1002 Stone compartment
3. 9600 1000 Top Grille
4. 9600 1014 12 volts DC Transformer
5. 9600 1012 LED Lights
6. 9600 0008 Temperature cut-out heater 8kW
9600 0010 Temperature cut-out heater 10kW
7. 9600 0554 Strain relief connector



SENSE COMMERCIAL 6-8 (SENSE SK6-8)

Art Nr:	E-Nummer:	Description:	Valid from/to:
* 96000001		TEMP.SKYDD SVART 80°C 3POL 6,6kW	2021/10-
96000006	9301310	TEMP.SKYDD 55.31522.360	2013/05-2018/04
96000007	9301311	TEMP.SKYDD 55.33522.160 3POL	2018/05-2021/10
* 96000008		TEMP.SKYDD GUL 90°C 3POL 8kW	2021/10-
* 96000146		KONSOL 3-20 (4-PACK)	2013/05 -
96000177		RÖRELEMENT 8kW (3 PACK)	2012- 2014/10
96000178		RÖRELEMENT 6kW (3 PACK)	2012- 2014/10
* 96000242	9301329	RÖRELEMENT 19,9 OHM (3 PACK)	2014/10 -
* 96000243	9301330	RÖRELEMENT 24,7 OHM (3 PACK)	2014/10 -
96000258		THERMOSTATE/Temp. limit. COTHERM	2012- 2013/12
* 96000312		DESIGN COVER SENSE SVART 6-10	2014/10-
* 96000554		DRAGAVLASTNING	2012-
* 96000723		KOPPLINGSPLINT 16MM 6 POL	2012 -
* 96000725		TYLÖ GRILL SENSE 6-10 KW	2012 -
* 96000729		STENMAGASIN SENSE 6-10 KW	2021/10-
96000735		STONE RESERVOIR SENSE/CURVE	2014/10-2021/10
* 96000737		DOFTBRICKA SENSE	2014/10 -

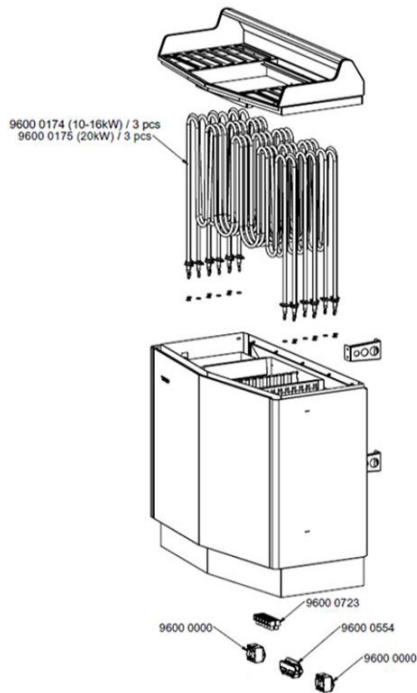
SPARE PARTS Sense Commercial (SK) 6/8 kW



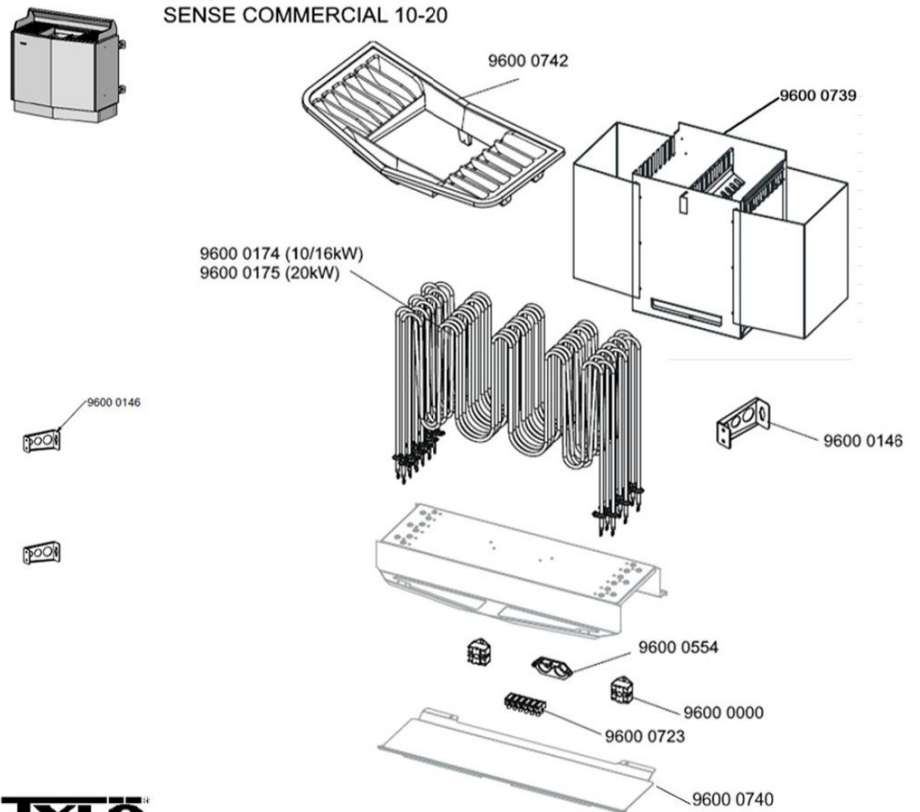
SDK / SD / SENSE COMMERCIAL 10-20

Art Nr:	E-Nummer:	Description:	Valid from/to:
96000000	9300026	TEMP.SKYDD 2 POL	1984-
96000146		KONSOL 3-20 (4-PACK)	1984-
96000174	9300053	RÖRELEMENT C 31 OHM (3 PACK)	1984-
96000175	9300054	RÖRELEMENT 24 OHM (3 PACK)	1984-
96000554		DRAGAVLASTNING	1984-
96000723		KOPPLINGSPLINT 16MM 6 POL	1984-
96000739		STEN MAGASIN COM. 10-20	2017/01-
96000740		DOSLOCK SENSE COMM.10-20	2017/01-
96000742		GALLER SENSE COMMERCIAL 10-20	2017/01-

TYLÖ
SD 10-20kW



TYLÖ
SENSE COMMERCIAL 10-20

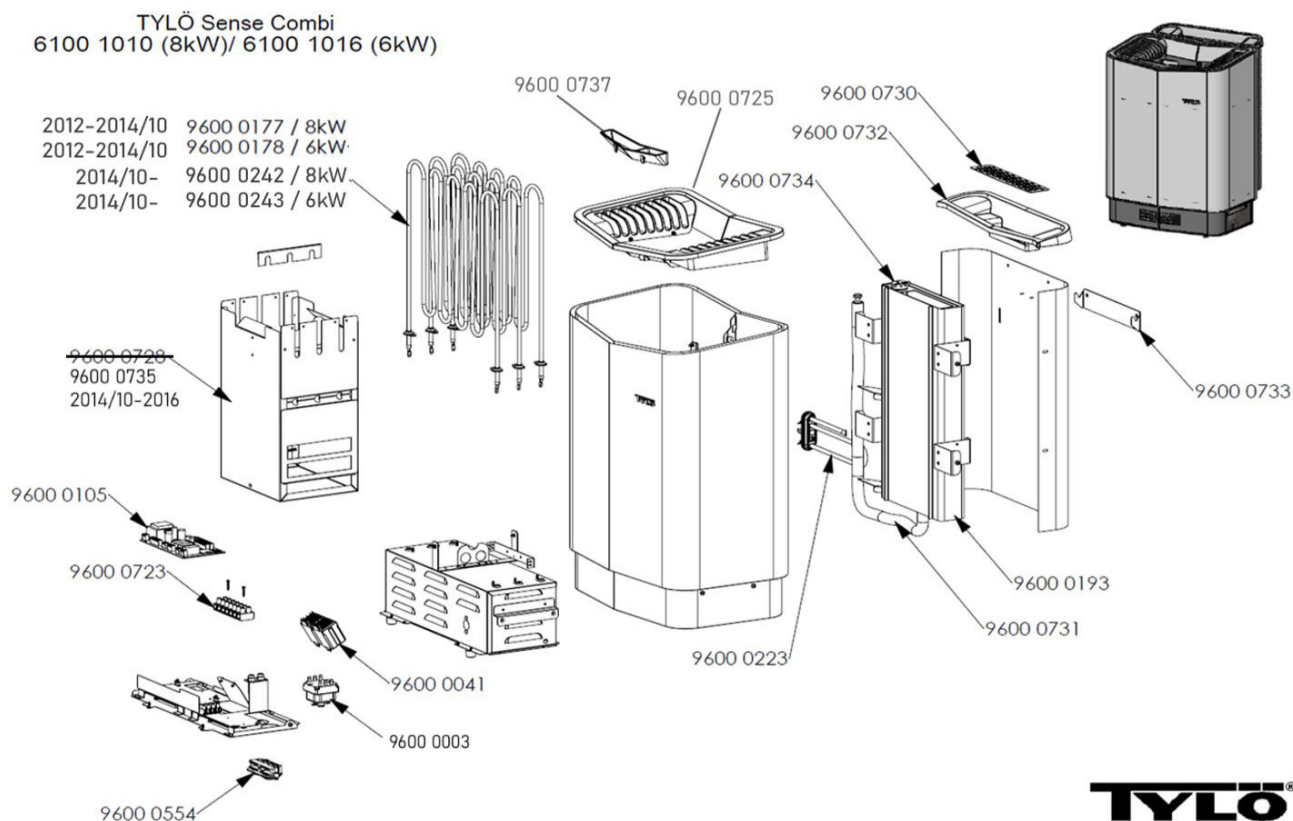


TYLÖ



SENSE COMBI H2

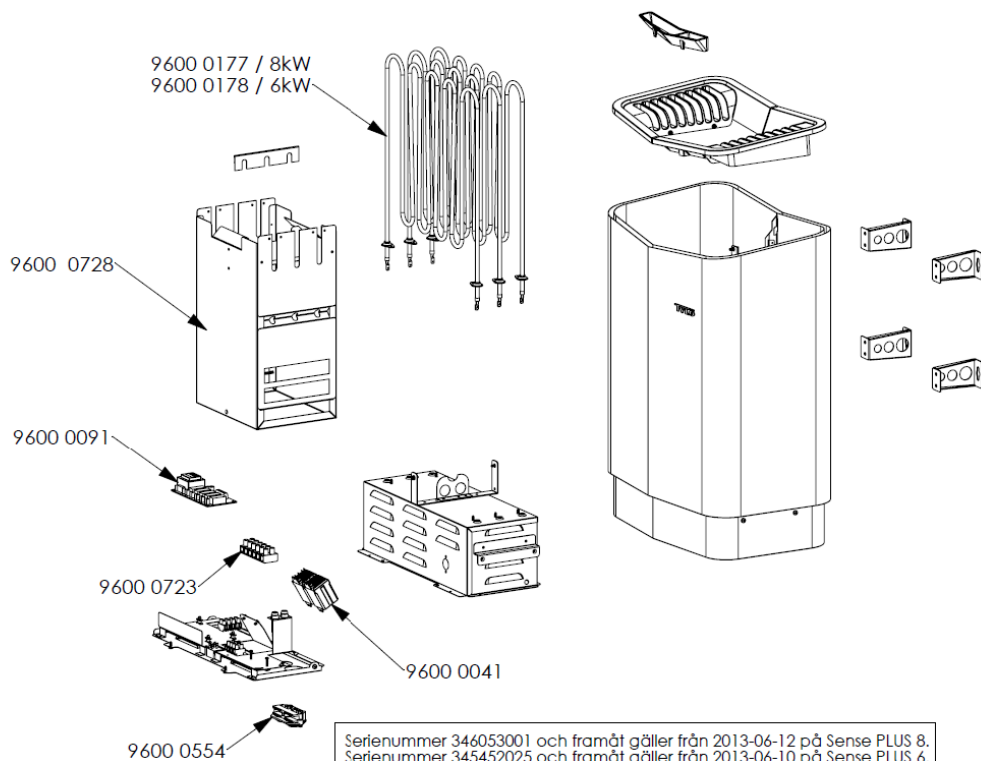
Art Nr:	E-Nummer:	Description:	Valid from/to:
96000005		SENSOR/TEMP SKYDD 130GR	2012-2017
96000040	9300039	STRÖMBRYTARE GOTTAK 6POL	2014-2017
96000041		RELÄ 3POL 230V	2012-2014
96000105		KRETSKORT COMBI RELÄ H2	2012-2017
96000132	9301322	ON / OFF KNOB TYLÖ V2	2014-2017
96000177		RÖRELEMENT 8kW (3 PACK)	2012- 2014/10
96000178		RÖRELEMENT 6kW (3 PACK)	2012- 2014/10
96000193		VATTENBEH. SENSE COMBI	2014/01-2017
96000222		RÖRELEMENT COMBI V1	2012- 2013/05
96000223		RÖRELEMENT SENSE COMBI 1,3kW	2014/01-2017
96000242	9301329	RÖRELEMENT 19,9 OHM (3 PACK)	201410- 2017
96000243	9301330	RÖRELEMENT 24,7 OHM (3 PACK)	201410- 2017
96000554		DRAGAVLASTNING	2012-2017
96000723		KOPPLINGSPLINT 16MM 6 POL	2012- 2017
96000725		TYLÖ GRILL SENSE 6-10 KW	2012- 2017
96000728		STONE RESERVOIR TYLÖ V2	-2014/10
96000730		ÖRTSIL	2014- 2017
96000731		SLANG MED PLUGG	2014- 2017
96000732		PÅFYLLNADSGALLER SENSE COMBI	2014- 2017
96000733		VÄGGKONSOL SENSE COMBI	2014- 2017
96000734	9301340	ELEKTRODER	2014- 2017
96000735		STONE RESERVOIR SENSE/CURVE	2014/10- 2017



SENSE MPE / PLUS

Art Nr:	E-Nummer:	Description:	Valid from/to:
96000005		SENSOR/TEMP SKYDD 130GR	2012-2015
96000041		RELÄ 3POL 230V	2012-2015
96000091	9300044	CIRCUIT CARD RB-5	2012-2014
96000146		KONSOL 3-20 (4-PACK)	2013/05-
96000177		RÖRELEMENT 8kW (3 PACK)	2012- 2014/10
96000178		RÖRELEMENT 6kW (3 PACK)	2012- 2014/10
96000242	9301329	RÖRELEMENT 19,9 OHM (3 PACK)	2014/10-
96000243	9301330	RÖRELEMENT 24,7 OHM (3 PACK)	2014/10-
96000554		DRAGAVLASTNING	2012-
96000723		KOPPLINGSPLINT 16MM 6 POL	2012-
96000725		TYLÖ GRILL SENSE 6-10 KW	2012-
96000728		STONE RESERVOIR TYLÖ V2	-2014/10
96000735		STONE RESERVOIR SENSE/CURVE	2014/10-2017

TYLÖ Sense
 Plus. 6100 1011 (8kW)/ 6100 1017 (6kW)
 MPE. 6100 1032 (8kW)/ 6100 1030 (6kW)



Serienummer 346053001 och framåt gäller från 2013-06-12 på Sense PLUS 8.
 Serienummer 345452025 och framåt gäller från 2013-06-10 på Sense PLUS 6.
 Serienummer 345866001 och framåt gäller från 2013-06-11 på Sense MPE 8.
 Serienummer 345865001 och framåt gäller från 2013-06-10 på Sense MPE 6.



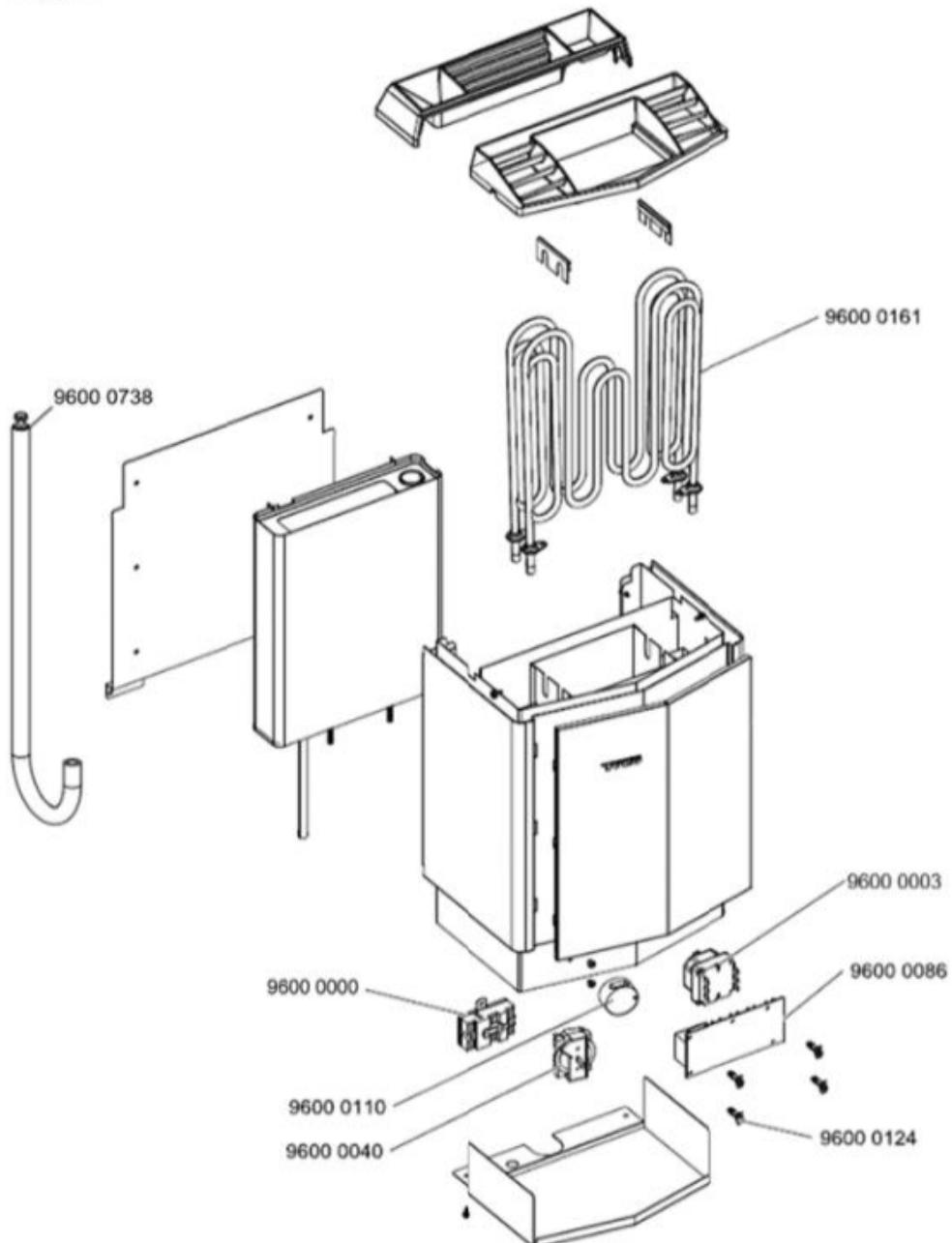
COMBI COMPACT

Art Nr:	E-Nummer:	Description:	Valid from/to:
96000000	9300026	TEMP.SKYDD 2 POL	-2019
96000003		TEMP.SKYDD 122-9°C 3POL	-2019
96000040	9300039	STRÖMBRYTARE GOTTAK 6POL	-2019
96000072	9300041	TEMPERATUR SENSOR 10KOHM 4,0M	-2019
96000086	9300042	KRETSKORT COMBI RELÄ	-2019
96000110	9300045	VRED SVART (2312)	-2019
96000124		KRETSKORTSCLIPS 12,5MM 4ST	-2019
96000155		KONSOLL COMBI COMPACT	-2019
96000161		RÖRELEMENT 24.7 OHM COMP (2 P)	-2019
96000192		VATTENBEH. COMBI COMPACT	-2019
96000738		AVLOPPSSLANG COMBI COMPACT	-2019

TYLÖ Combi Compact

Available spareparts
4.5kW

2008-03-17

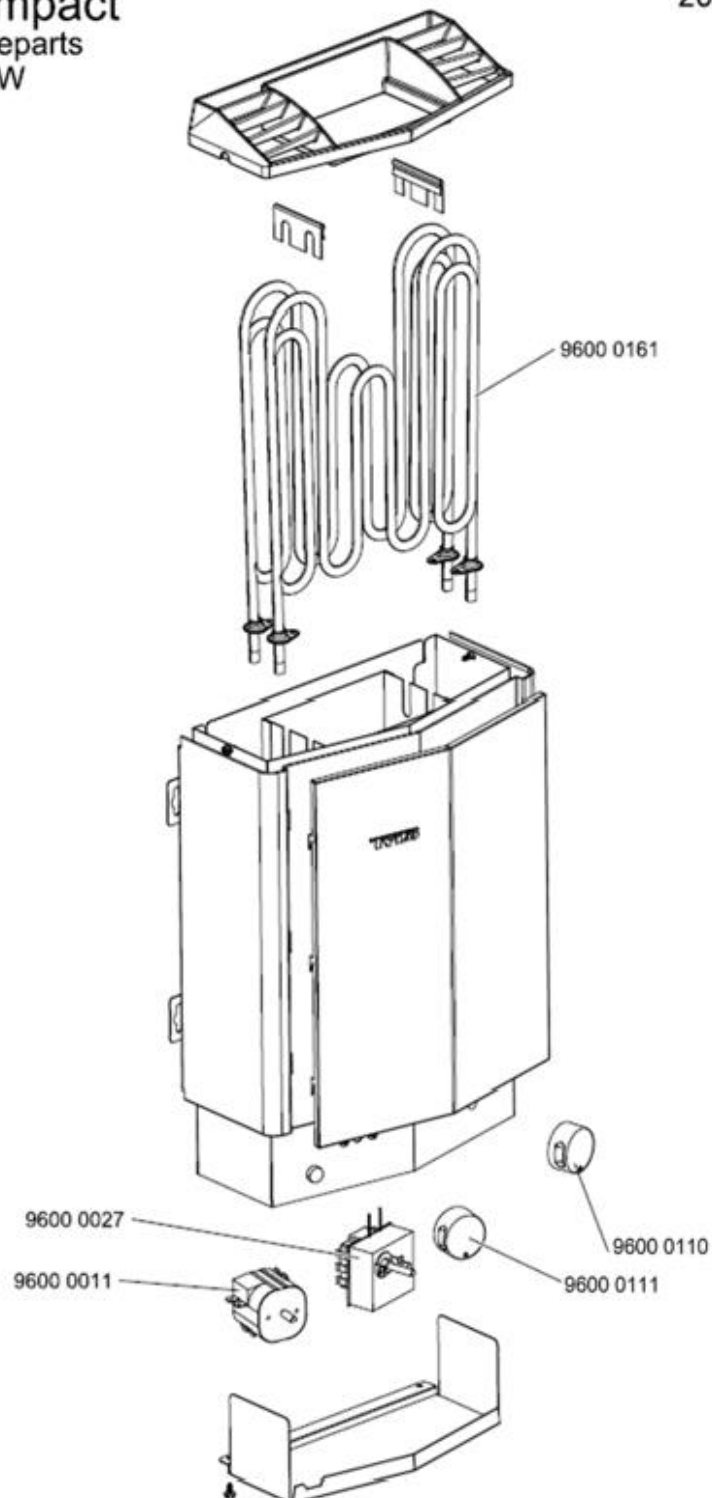


COMPACT

Art Nr:	E-Nummer:	Description:	Valid from/to:
96000011	9300029	TIMER 4POL 9+3H FAUCIGNY 2652	-2019
96000027	9300038	TERMOSTAT 3POL 55.60029.030	-2019
96000110	9300045	VRED SVART (2312)	-2019
96000111	9300046	VRED SVART (2313)	-2018
96000161		RÖRELEMENT 24.7 OHM COMP (2 P)	-2019

TYLÖ Compact
Available spareparts
2.2-4.5kW

2008-02-21



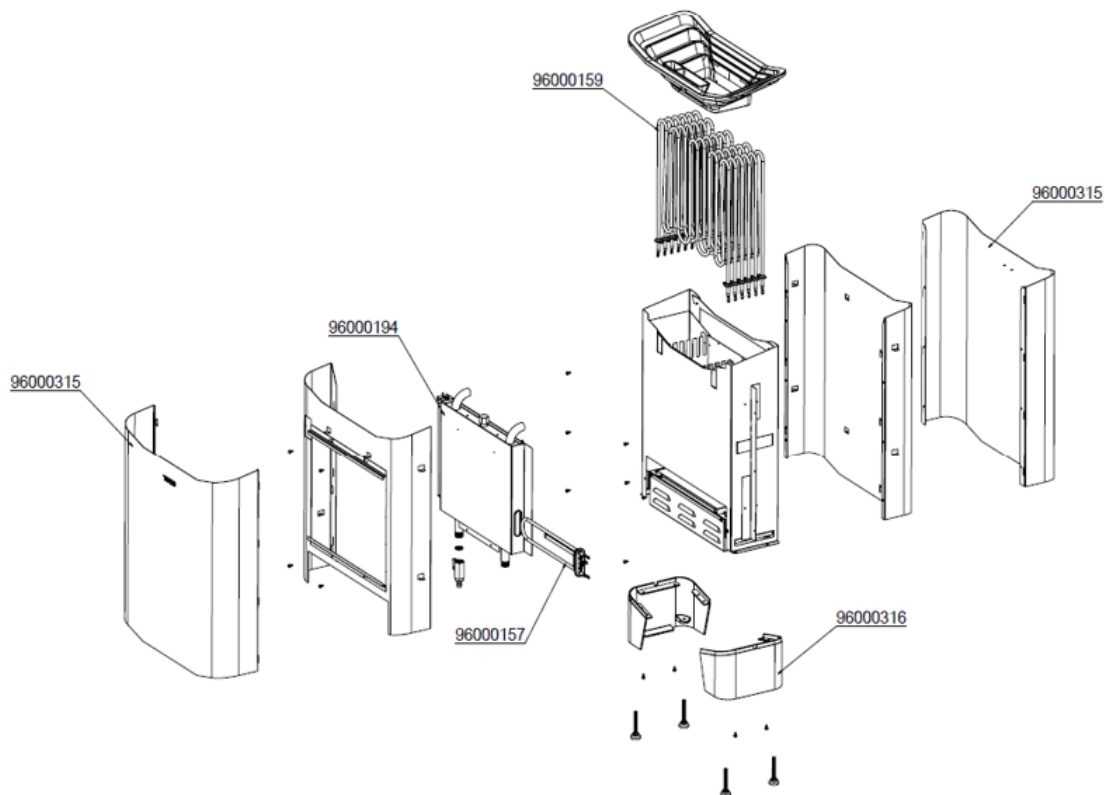
EXPRESSION 10kW

Art Nr:	E-Nummer:	Description:	Valid from/to:
96000000	9300026	TEMP.SKYDD 2 POL	-2020
96000159		RÖRELEMENT 31 OHM EXP (3-PACK)	-2020
96000315		YTTERSVEP SVART EXPRESSION	-2020
96000316		BEN SVART EXPRESSION	-2020

EXPRESSION COMBI 10kW

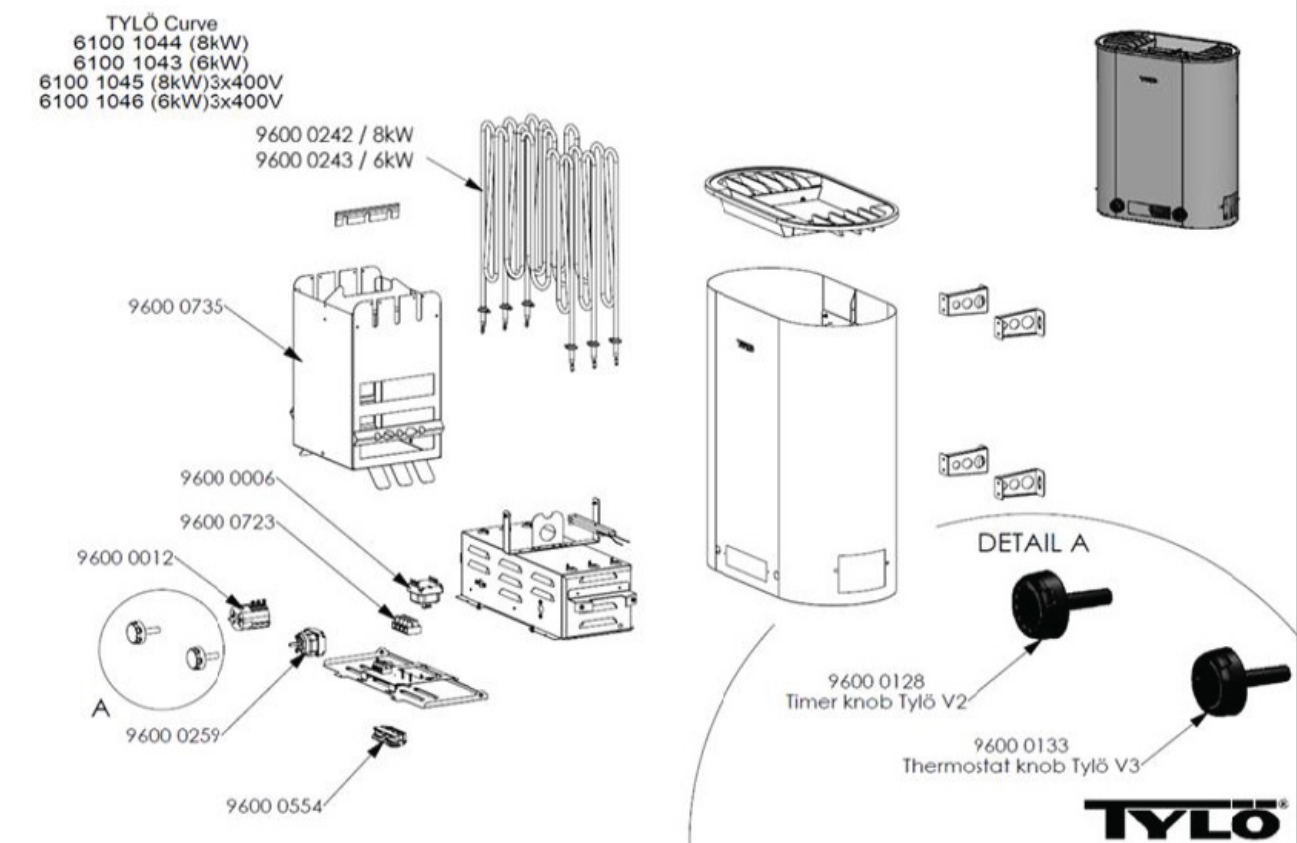
Art Nr:	E-Nummer:	Description:	Valid from/to:
96000000	9300026	TEMP.SKYDD 2 POL	-2021
96000157		RÖRELEMENT 35OHM EXPR. COMBI	-2020
96000159		RÖRELEMENT 31 OHM EXP (3-PACK)	-2020
96000194		VATTENBEH. EXPR. COMBI KOMPL.	-2020
96000315		YTTERSVEP SVART EXPRESSION	-2020
96000316		BEN SVART EXPRESSION	-2020

TYLÖ Expression Combi
62001000 (10kW)



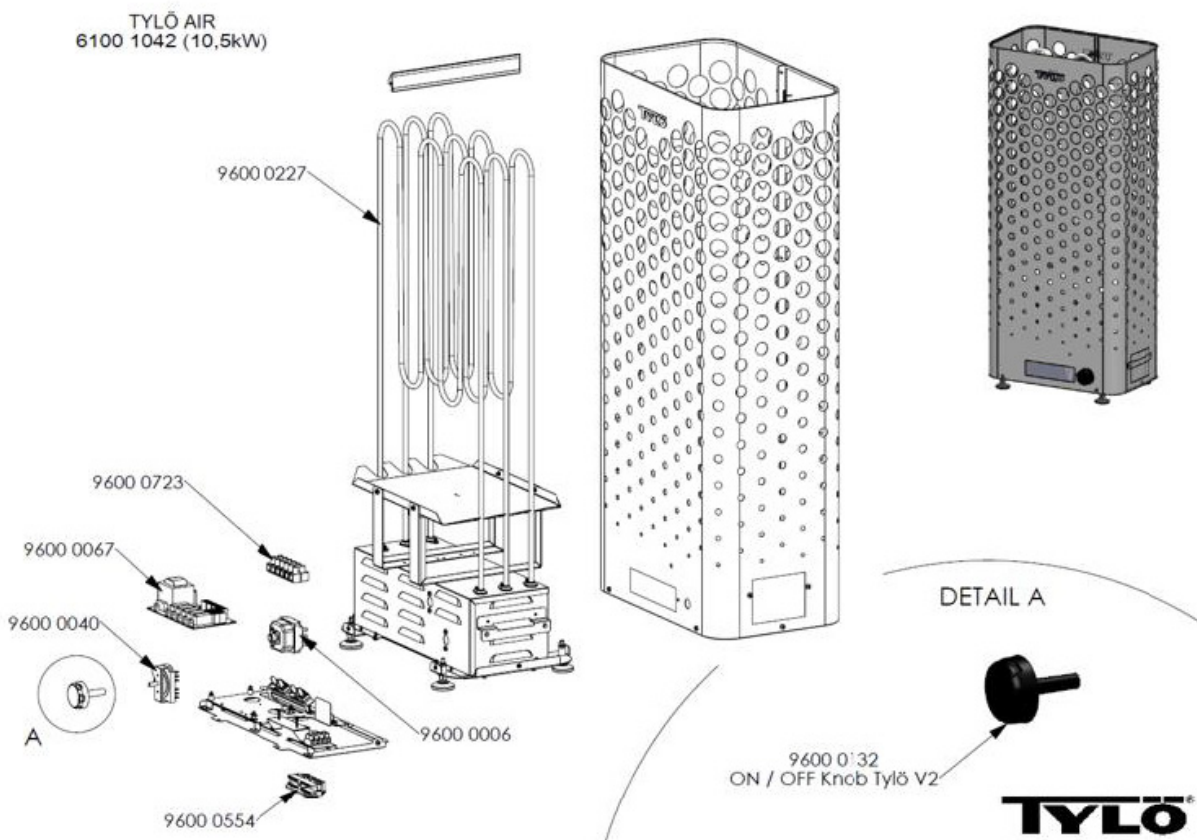
CURVE

Art Nr:	E-Nummer:	Description:	Valid from/to:
96000006	9301310	TEMP.SKYDD 55.31522.360	2014/06-2017
96000012	9300030	TIMER 6POL 9+3H FAUCIGNY 2654	2014/06-2017
96000128	9301321	TIMER KNOB TYLÖ V2	2014/06-2017
96000133	9301323	THERMOSTAT KNOB TYLÖ V2/V3	2014/06-2017
96000146		KONSOL 3-20 (4-PACK)	2014/06-2017
96000242		RÖRELEMENT 19,9 OHM (3 PACK)	2014/06-2017
96000243		RÖRELEMENT 24,7 OHM (3 PACK)	2014/06-2017
96000259		TERMOSTAT EGO 55.34019.370	2014/06-2017
96000554		DRAGAVLASTNING	2014/06-2017
96000723		KOPPLINGSPLINT 16MM 6 POL	2014/06-2017
96000735		STONE RESERVOIR SENSE/CURVE	2014/06-2017



TYLÖ AIR

Art Nr:	E-Nummer:	Description:	Valid from/to:
96000006	9301310	TEMP.SKYDD 55.31522.360	2015-2018/09
96000040	9300039	STRÖMBRYTARE GOTTAK 6POL	2015-2018/09
96000067	9301315	RELÄKORT LOW	2015-2018/09
96000219	9301326	TEMP SENSOR 10KOHM 4,0M RJ10	2015-2018/09
96000132	9301322	ON / OFF KNOB TYLÖ V2	2015-2018/09
96000227		RÖRELEMENT AIR 15OHM (3PACK)	2015-2018/09
96000554		DRAGAVLASTNING	2015-2018/09
96000723		KOPPLINGSPLINT 16MM 6 POL	2015-2018/09



GAMLA MODELLER

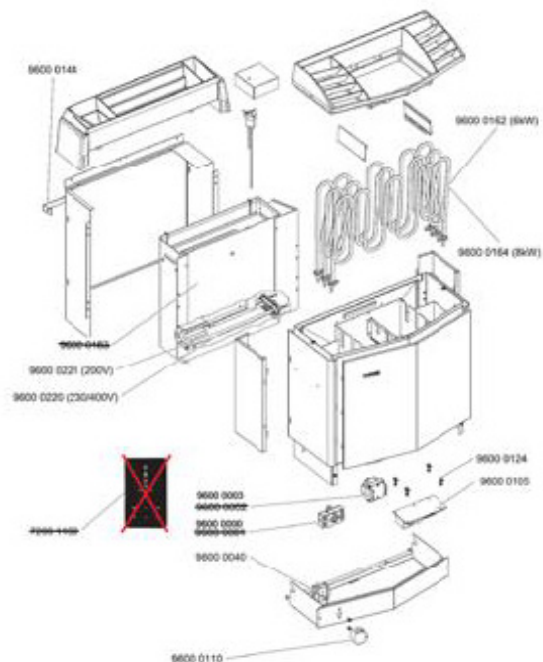
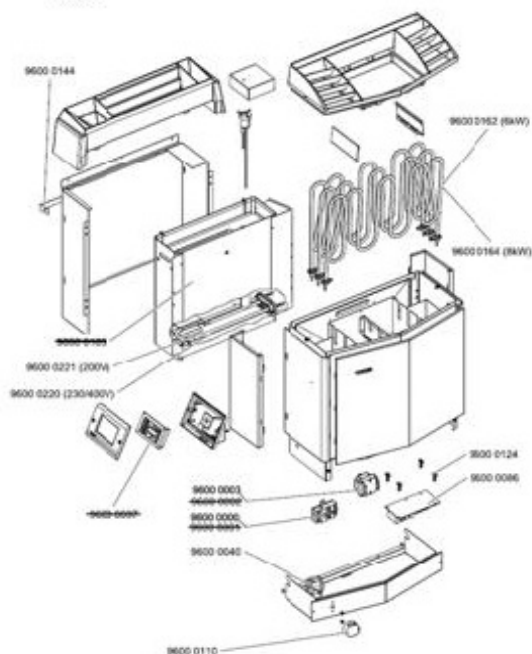
TYLÖ SPORT, TYLÖ SE, TYLÖ MPE, TYLÖ SK, TYLÖ COMBI >2012

Art Nr:	E-Nummer:	Description:	Valid from/to:
96000000	9300026	TEMP.SKYDD 2 POL	>2012
96000003		TEMP.SKYDD 122-9°C 3POL	>2012
96000012	9300030	TIMER 6POL 9+3H FAUCIGNY 2654	>2012
96000013	9300031	TIMER 6POL 12H FAUCIGNY 2657	>2012
96000025		TERMOSTAT EGO 55.34019.240	>2012
96000026	9300037	TERMOSTAT 55.34019.230	>2012
96000040	9300039	STRÖMBRYTARE GOTTAK 6POL	>2012
96000041		RELÄ 3POL 230V	>2012
96000045		KITT AVLOPPSSLANG COMBI	>2012
96000076		SIGNALLAMPA SVART	>2012
96000086	9300042	KRETSKORT COMBI RELÄ	>2012
96000091	9300044	CIRCUIT CARD RB-5	>2012
96000105		KRETSKORT COMBI RELÄ H2	>2012
96000110	9300045	VRED SVART (2312)	>2012
96000111	9300046	VRED SVART (2313)	>2012
96000112		VRED MP-TIMER SVART	>2012
96000124		KRETSKORTSCLIPS 12,5MM 4ST	>2012
96000144		KONSOL COMBI 6-8	>2012
96000146		KONSOL 3-20 (4-PACK)	>2012
96000162	9300047	RÖRELEMENT 24.7 OHM (3 PACK)	>2012
96000164	9300048	RÖRELEMENT 19,9 OHM (3 PACK)	>2012
96000174	9300053	RÖRELEMENT C 31 OHM (3 PACK)	>2012
96000175	9300054	RÖRELEMENT 24 OHM (3 PACK)	>2012

TYLÖ Combi
Available spareparts
6-8kW

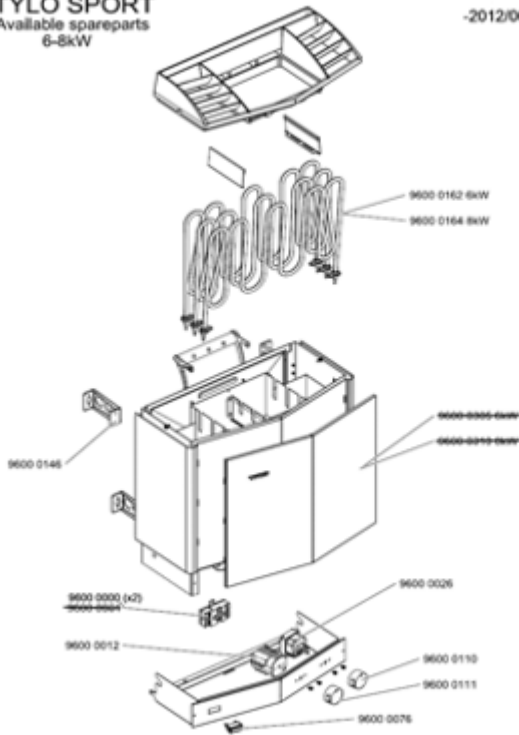
2018-02-28

TYLÖ Combi H2
Available spareparts
6-8kW



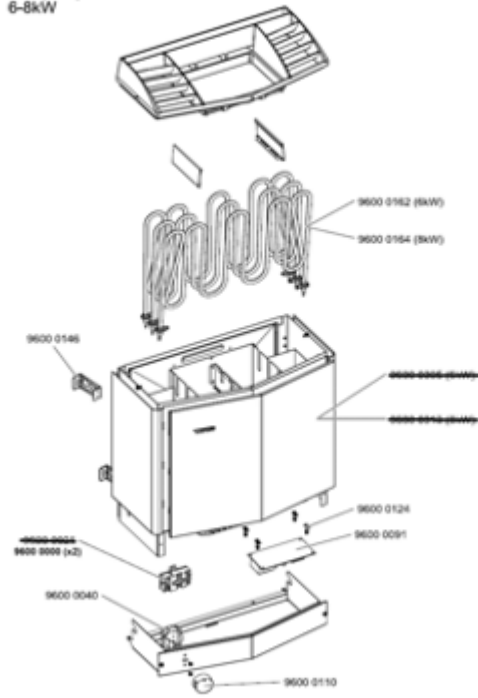
TYLÖ SPORT
Available spareparts
6-8kW

-2012/06



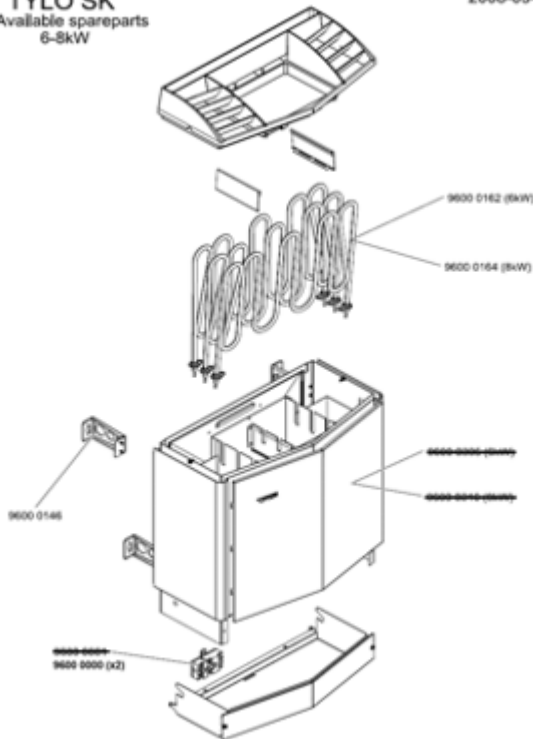
TYLÖ SE
Available spareparts
6-8kW

2008-04-01



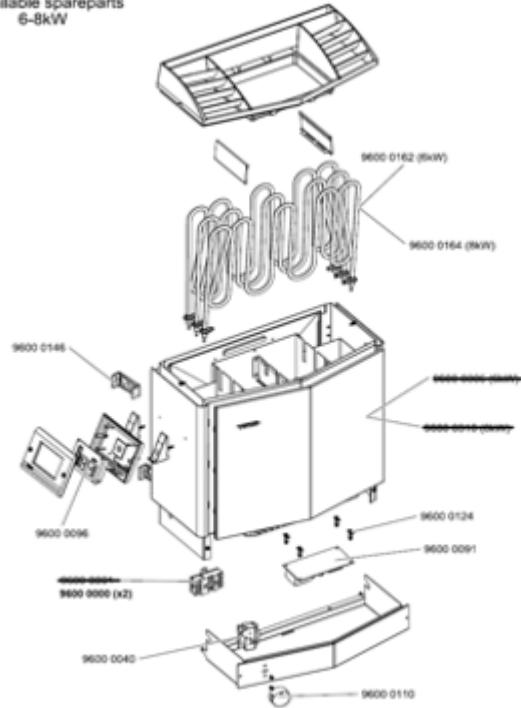
TYLÖ SK
Available spareparts
6-8kW

2008-03-31



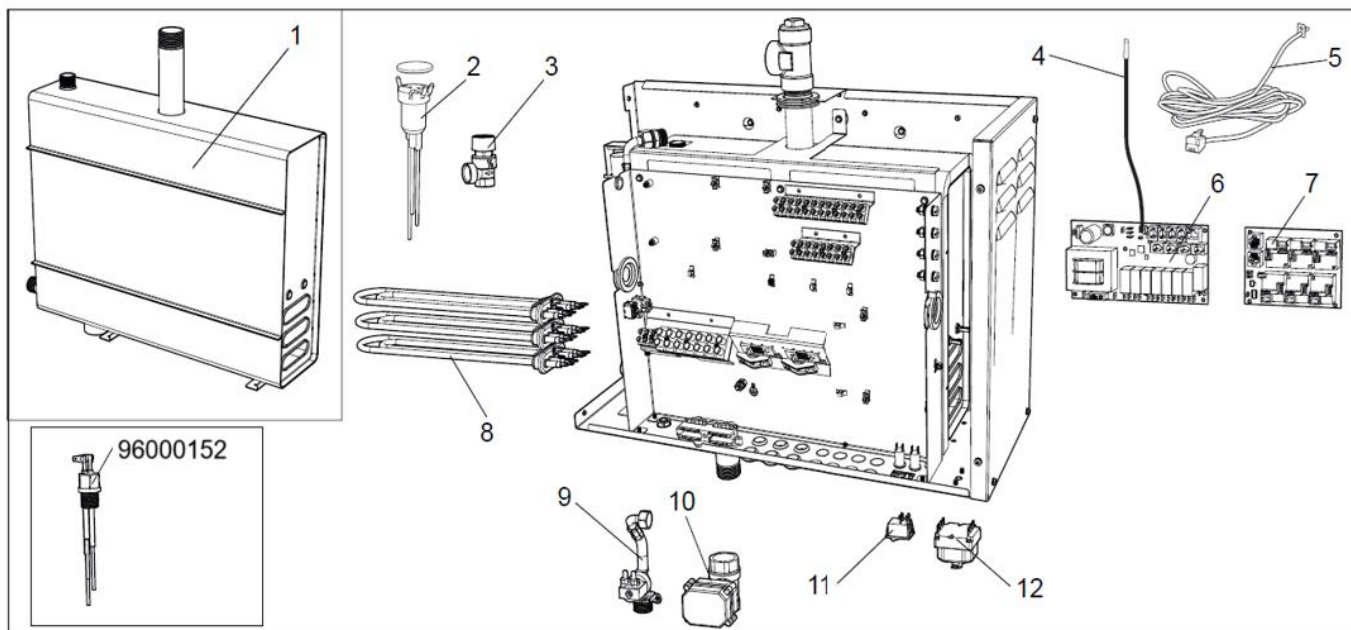
TYLÖ MPE
Available spareparts
6-8kW

2008-03-20



STEAM COMMERCIAL

Art Nr:	E-Nummer:	Description:	Valid from/to:
96000003	9300027	TEMP.SKYDD 122-9°C 3POL	2017-
96000068	9301316	RELÄKORT HIGH	2017-
96000069	9301318	RELÄKORT ADDON	2017-
96000070	9301317	TEMPERATUR SENSOR 10KOHM 0,8M	2017-
96000152	9301324	NIVÅ SENSORER PRO/COM STEAM	2017-2024/10
96000181		VATTENTANK STEAM COMMERCIAL	2017-
96000195	9301325	MAGNETVENTIL HOME/COM MONT.	2017-
96000219	9301326	TEMP SENSOR 10KOHM 4,0M RJ10	2017-
96000228	9301328	RÖRELEMENT COM.2x21,1OHM	2017-
96000232	9300055	RÖRELEMENT VA/COM 2x26 OHM	2017-
96000234	9300056	RÖRELEMENT VA/COM 2x35 OHM	2017-
96000273		STRÖMBRYTARE RB/STEAM COMMERCIAL	2017-
96000279		SÄKERHETSV. HOME/COMMERCIAL	2017-
96000281	9301336	MOTORKULVENTIL 1"	2017-

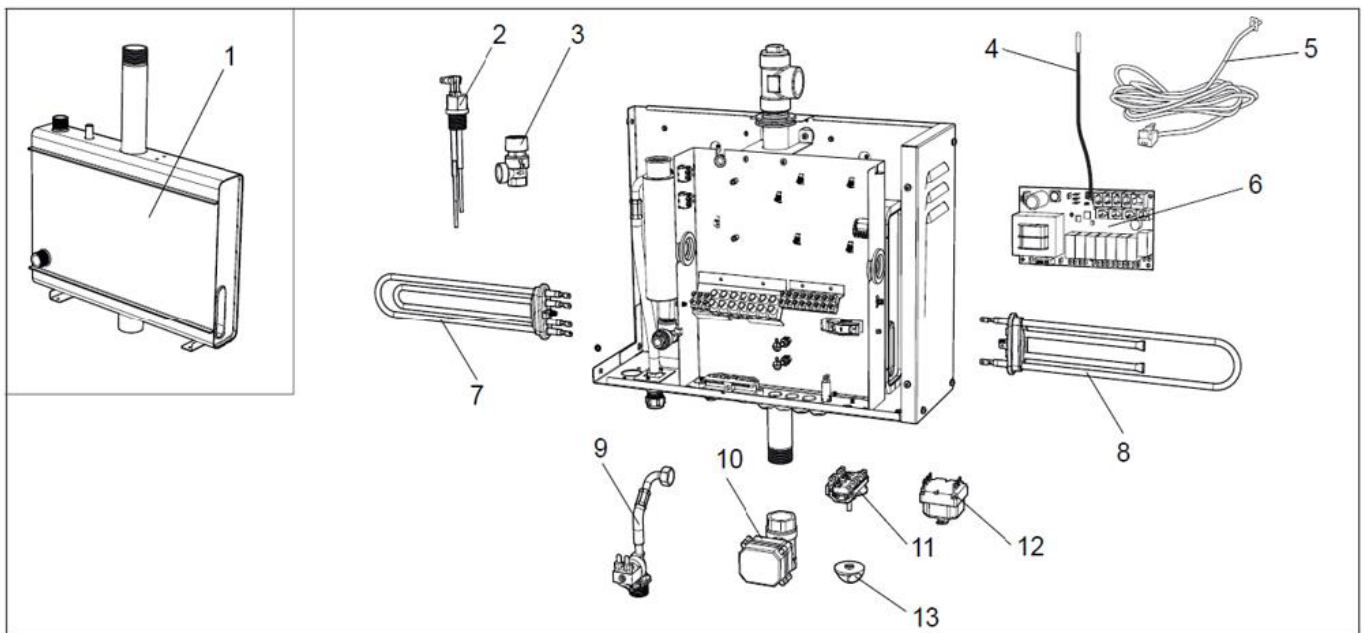


- | | |
|---|--|
| 1. 9600 0181 Water reservoir | 8. 9600 0234 Pipe element 9kW (230/400V) |
| 2. 9600 0940 Water level sensor (electrode bushing) | 9600 0232 Pipe element 12kW (230/400V) |
| 3. 9600 0279 Safety valve | 9600 0228 Pipe element 15kW (230/400V) |
| 4. 9600 0070 Temperature sensor, water reservoir | 9. 9600 0195 Solenoid valve |
| 5. 9600 0219 Temperature sensor, room | 10. 9600 0281 Motorised ball valve |
| 6. 9600 0068 Circuit board "High" | 11. 9600 0273 Power switch |
| 7. 9600 0069 Circuit board "Addon" | 12. 9600 0003 Temperature cut-out |



STEAM HOME

Art Nr:	E-Nummer:	Description:	Valid from/to:
96000003	9300027	TEMP.SKYDD 122-9°C 3POL	2016-
96000040	9300039	STRÖMBRYTARE GOTTAK 6POL	2016-
96000068	9301316	RELÄKORT HIGH	2016-
96000070	9301317	TEMPERATUR SENSOR 10KOHM 0,8M	2016-
96000182		VATTENTANK STEAM HOME	2016-
96000195	9301325	MAGNETVENTIL HOME/COM MONT.	2016-
96000219	9301326	TEMP SENSOR 10KOHM 4,0M RJ10	2016-
96000226	9301327	RÖRELEMENT VB 2x17,5 OHM	2016-
96000279		SÄKERHETSV. HOME/COMMERCIAL	2016-
96000280	9301335	NIVÅ SENSOR STEAM HOME	2016-
96000281	9301336	MOTORKULVENTIL 1"	2016-
96000284	9301337	RÖRELEMENT HOME 17,5 OHM	2016-



- | | |
|---|---|
| 1. 9600 0182 Water reservoir | 8. 9600 0284 Pipe element 17.5 Ohm (230/400V) |
| 2. 9600 0280 Water level sensor (electrode bushing) | 9. 9600 0195 Solenoid valve |
| 3. 9600 0279 Safety valve | 10. 9600 0281 Motorised ball valve |
| 4. 9600 0070 Temperature sensor, water reservoir | 11. 9600 0040 Switch, Gottak |
| 5. 9600 0219 Temperature sensor, room | 12. 9600 0003 Temperature cut-out |
| 6. 9600 0068 Circuit board "High" | 13. 9600 0110 On/Off dial |
| 7. 9600 0226 Pipe element 2x17.5 Ohm (230/400V) | |

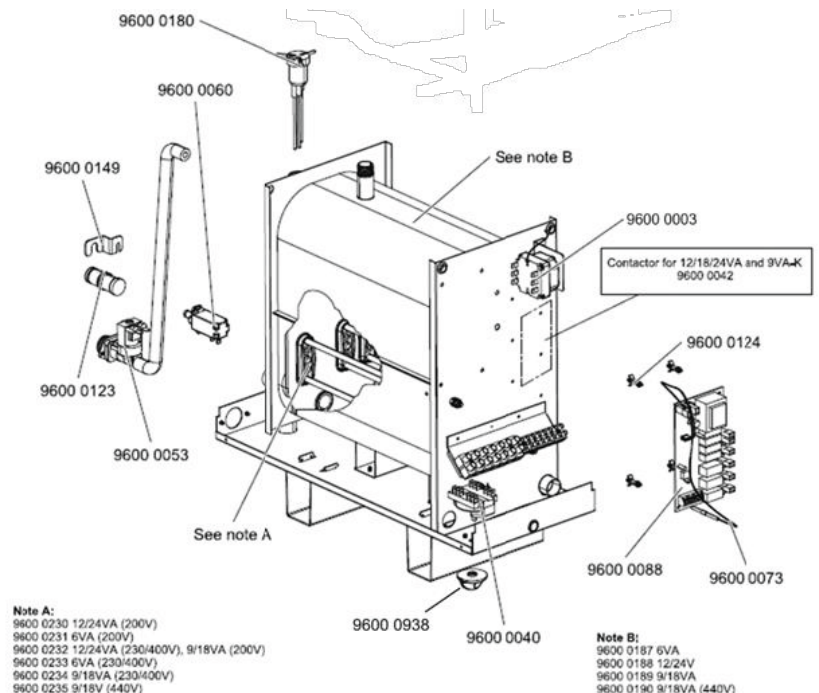
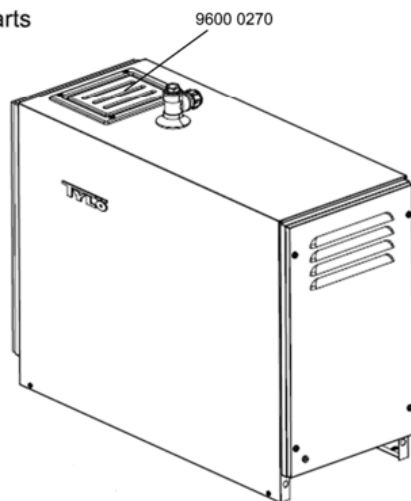


VA

Art Nr:	E-Nummer:	Description:	Valid from/to:
9600003	9300027	TEMP.SKYDD 122-9°C 3POL	2018/05-
96000040	9300039	STRÖMBRYTARE GOTTAK 6POL	
96000938		RATT SVART RS	
96000044	9300040	KITT AVLOPPSVENTIL VA/VB	2001-
96000052		MAGNETVENTIL IN VB/VA 2,5L	-2000
96000053		INLET SOLENOID VALVE VA 10 L	2000-
96000060		AKTIVATOR 12MM PUSH 230 VAC	2000-
96000072	9300041	TEMPERATUR SENSOR 10KOHM 4,0M	1996-
96000073	9301319	TEMPERATUR SENSOR 10KOHM 0,65M	2000-
96000088	9300043	KRETSKORT VA/VB/TONIC/HSAJ	1996-
96000123		GUMMIKOLV VAXMOTOR	2000-
96000130		ÅNGMUNSTYCKE 6134	2000-
96000131		PÅSE ÅNGMUNSTYCKE VA	2000-
96000139		LEDAXEL VA BOCKAD	2002/11-
96000147		LEDAXEL VA/VB	2000-2002/11
96000179		ELEKTROBUSSNING VA/VB LÅNG	1996-
96000180		ELEKTROBUSSNING VA/VB PRO	1996-
96000187		VATTENBEH. VA 3x26 KOMPLETT	2000-
96000188		VATTENBEH. VA 6x26 KOMPLETT	2000-
96000189		VATTENBEH. VA 6x35 KOMPLETT	2000-
96000190		VATTENBEH. VA 6x41KOMPLETT	2000-
96000230		RÖRELEMENT VA 2x20 OHM	2007-
96000231		RÖRELEMENT VA 20 OHM	2007-
96000232	9300055	RÖRELEMENT VA/COM 2x26 OHM	2007-
96000233		RÖRELEMENT VA 26 OHM	2007-
96000234	9300056	RÖRELEMENT VA/COM 2x35 OHM	2007-

TYLÖ VA

Available spareparts
6-24kW

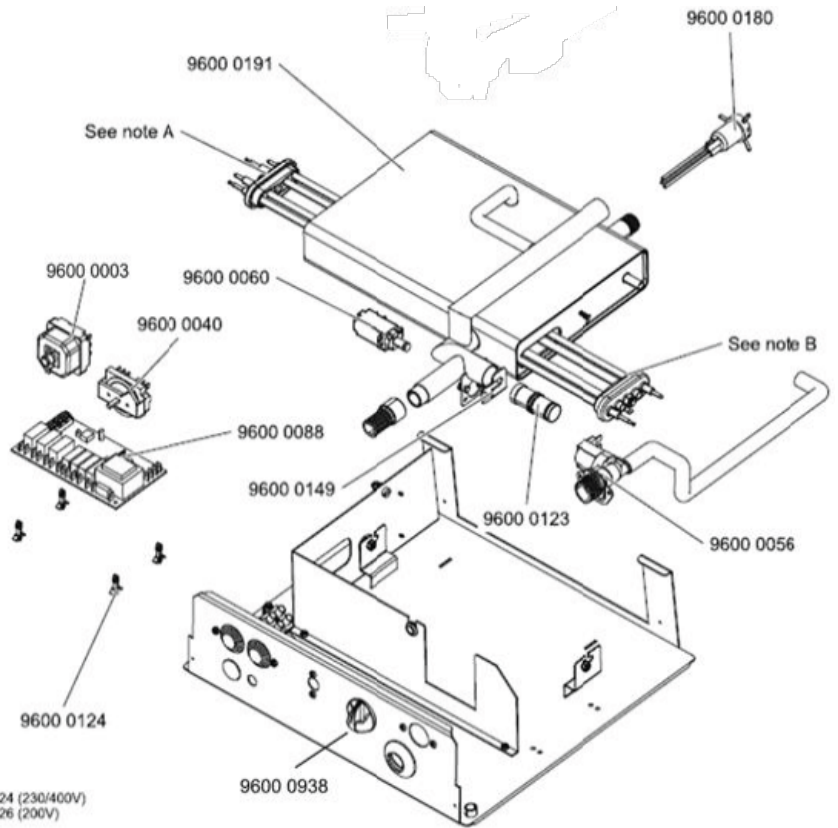
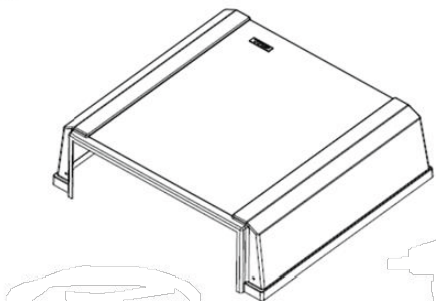


VB

Art Nr:	E-Nummer:	Description:	Valid from/to:
96000003	9300027	TEMP.SKYDD 122-9°C 3POL	2018/05-
96000040	9300039	STRÖMBRYTARE GOTTAK 6POL	
96000044	9300040	KITT AVLOPPSVENTIL VA/VB	2001-2018
96000052		MAGNETVENTIL IN VB/VA 2,5L	1997-2001
96000056		MAGNETVENTIL IN VB 2,5L	2001-2018
96000060		AKTIVATOR 12MM PUSH 230 VAC	2001-2018
96000072	9300041	TEMPERATUR SENSOR 10KOHM 4,0M	-2017
96000073	9301319	TEMPERATUR SENSOR 10KOHM 0,65M	2001-2018
96000088	9300043	KRETSKORT VA/VB/TONIC/HSAJ	1997-2018
96000123		GUMMIKOLV VAXMOTOR	2001-2018
96000130		ÅNGMUNSTYCKE 6134	-2018
96000149		LEDAXEL VB NM	2001-2018
96000179		ELEKTROBUSSNING VA/VB LÅNG	2001-2018
96000180		ELEKTROBUSSNING VA/VB PRO	2001-2018
96000191		VATTENBEH. VB 3x24 KOMPLETT	2001-2018
96000220		RÖRELEMENT CO VB 24 OHM	2007-2018
96000221		RÖRELEMENT CO/VB 17,5 OHM	2007-2018
96000224		RÖRELEMENT VB 2x24 OHM	2007-2018
96000226	9301327	RÖRELEMENT VB 2x17,5 OHM	2007-2018
96000930		KABLAGE STEAM VB	2007-2018

TYLÖ VB

Available spareparts
2/4/6kW



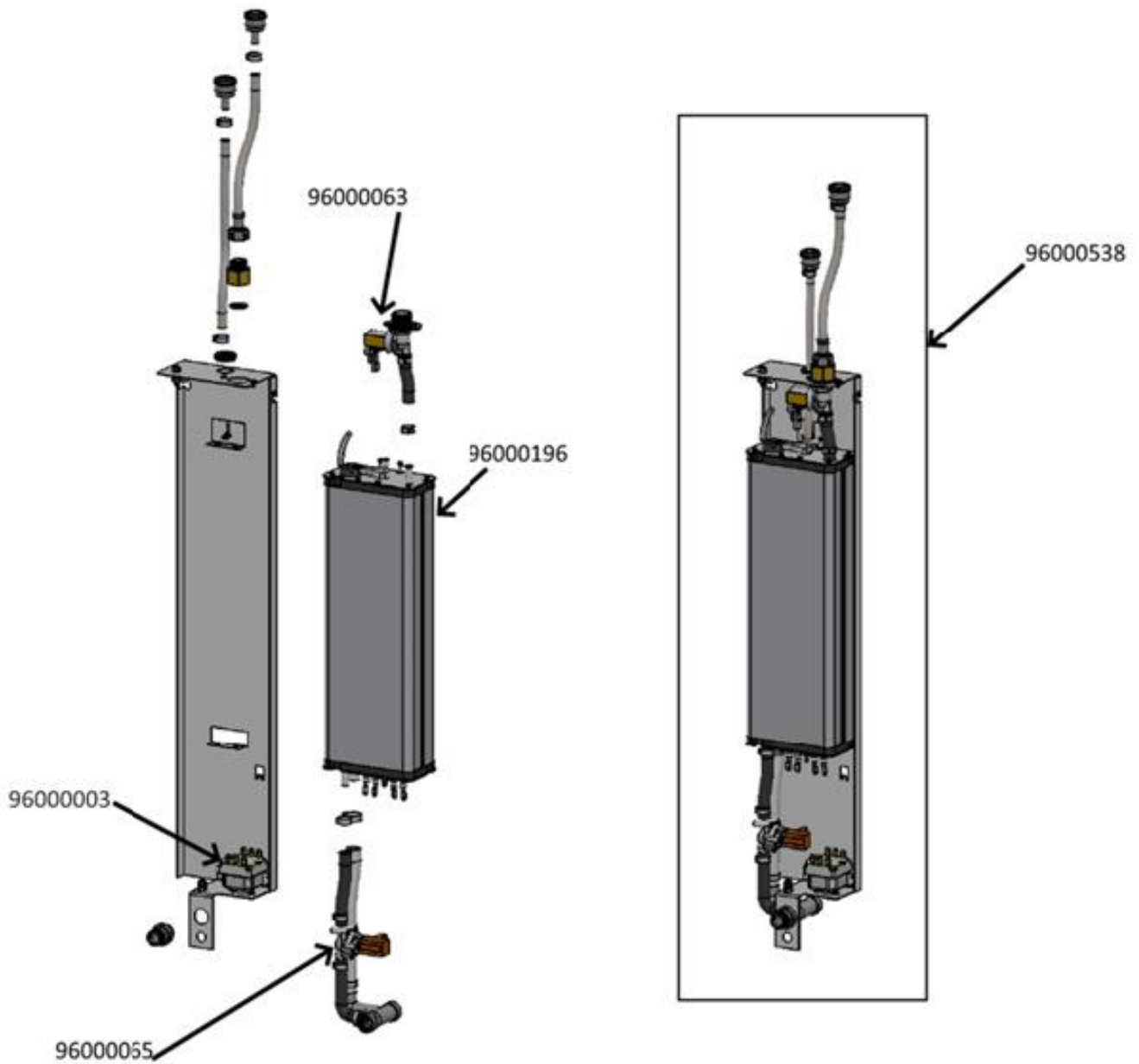
Note A:
9600 0224 (230/400V)
9600 0226 (200V)

Note B:
9600 0220 (230/400V)
9600 0221 (200V)



TONIC/TX202/IMPRESSION

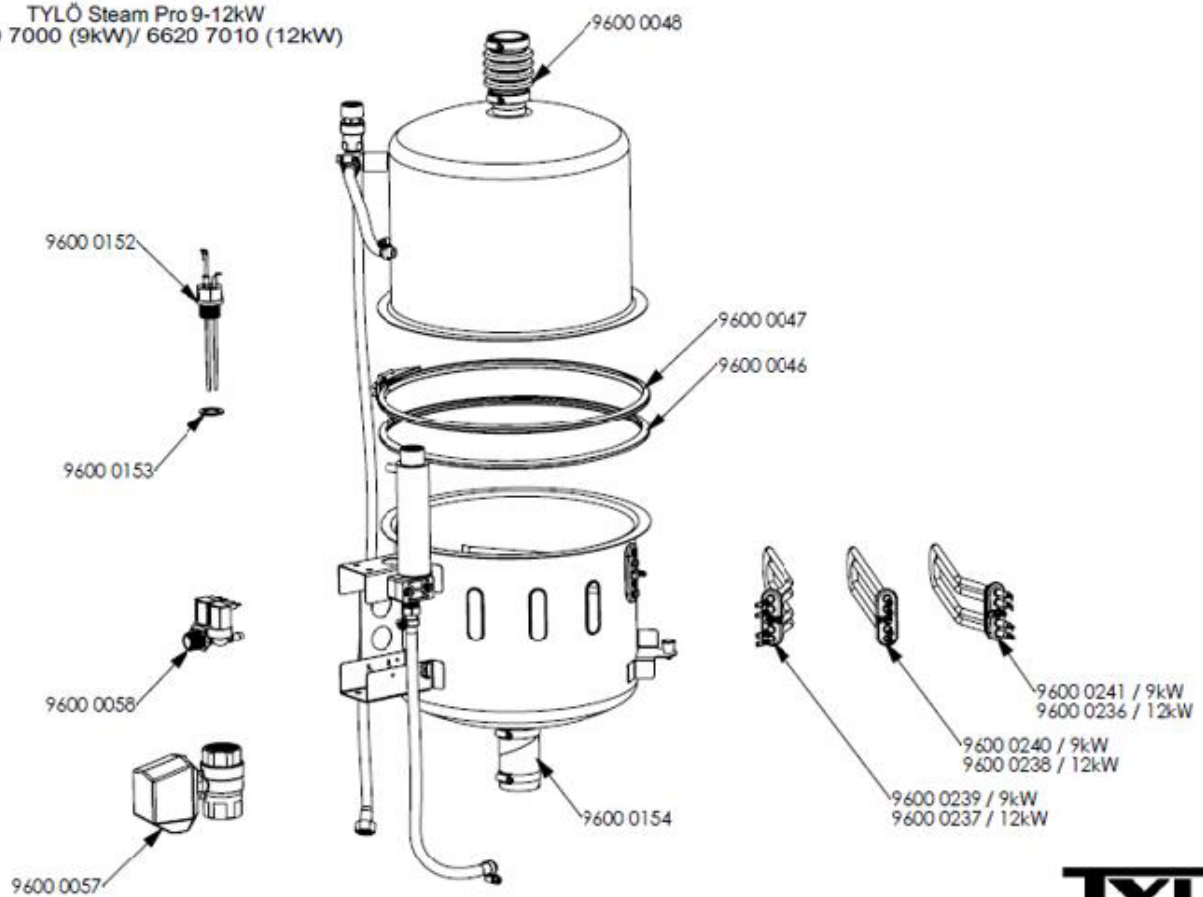
Art Nr:	E-Nummer:	Description:	Valid from/to:
96000003	9300027	TEMP.SKYDD 122-9°C 3POL	2009-
96000059		VAXMOTOR	2009-
96000063		MAGNETVENTIL IN TONIC	2009-
96000064		MAGNETVENTIL IN HSAJ	2009-
96000065		MAGNETVENTIL UT HSAJ/TONIC	2009-
96000079		H1 TONIC MED KÅPA	2009-
96000088	9300043	KRETSKORT VA/VB/TONIC/HSAJ	2009-
96000196		VATTENBEH. TONIC 2X24	2009-
96000198		VATTENBEH. HSAJ 2X24	2009-
96000538		UTBYTESGENERATOR TONIC i/w	2009-



STEAM PRO

Art Nr:	E-Nummer:	Description:	Valid from/to:
96000003	9300027	TEMP.SKYDD 122-9°C 3POL	2012-2014
96000047		SNABBSPÄNNBAND PRO STEAM	2012-2014
96000048		GUMMIBÄLG PRO STEAM	2012-2014
96000152	9301324	NIVÅ SENSORER PRO/COM STEAM	2012-2014
96000153		FIBERPACKNING 32x22x2	2012-2014
96000236		RÖRELEMENT PRO STEAM 26 OHM	2012-2014
96000237		RÖRELEMENT PRO STEAM 26 OHM	2012-2014
96000238		RÖRELEMENT PRO 230 V, 26 OHM	2012-2014
96000260		STYRKORT PRO STEAM	2012-2014
96000261		STYRKORT ADDON RB45 / STEAM PRO	2012-2014

TYLÖ Steam Pro 9-12kW
6620 7000 (9kW)/ 6620 7010 (12kW)



TYLÖ[®]



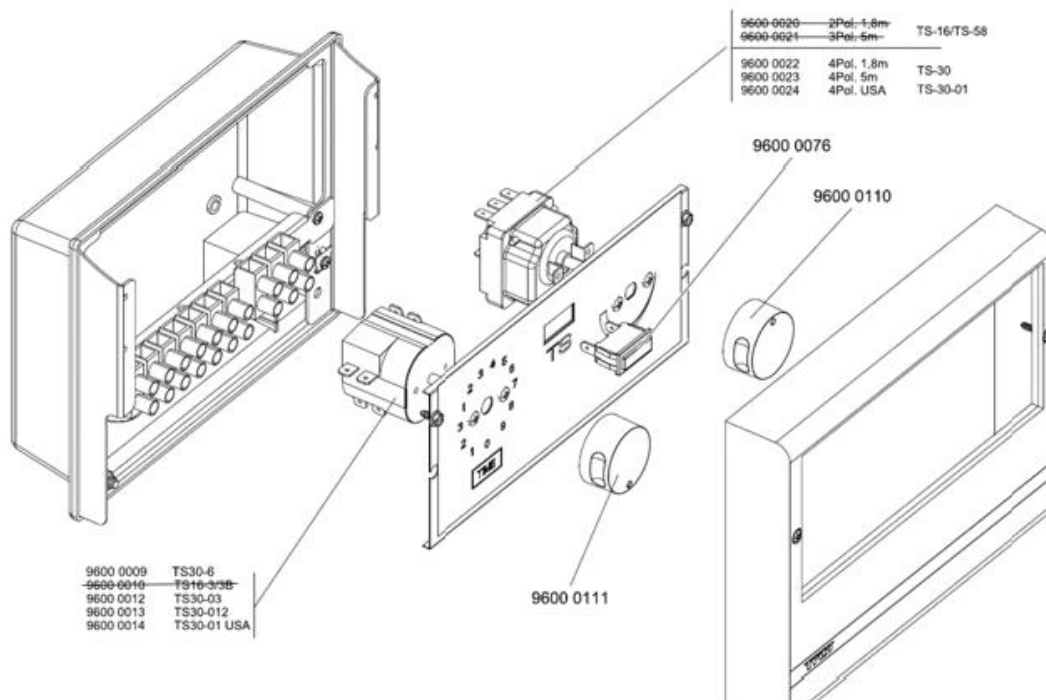
PURE / ELITE MANÖVERPANEL

Art Nr:	E-Nummer:	Description:	Valid from/to:
96000219	9301326	TEMP SENSOR 10KOHM 4,0M RJ10	2014-
96000266	9301334	SYNC CABLE SERIELL A/B 3M.	2017-
96000264		KONSOL KOMPLETT ELITE/PURE	2019-
96000265	9301333	MODULARKABEL 5M RJ10	2014-
96000267		DUBBELHÄFTANDE PACKNING ELITE/PURE	2017-
96000268		DUBBELHÄFTANDE PACKNING PURE	2014-

TS MANÖVERPANEL

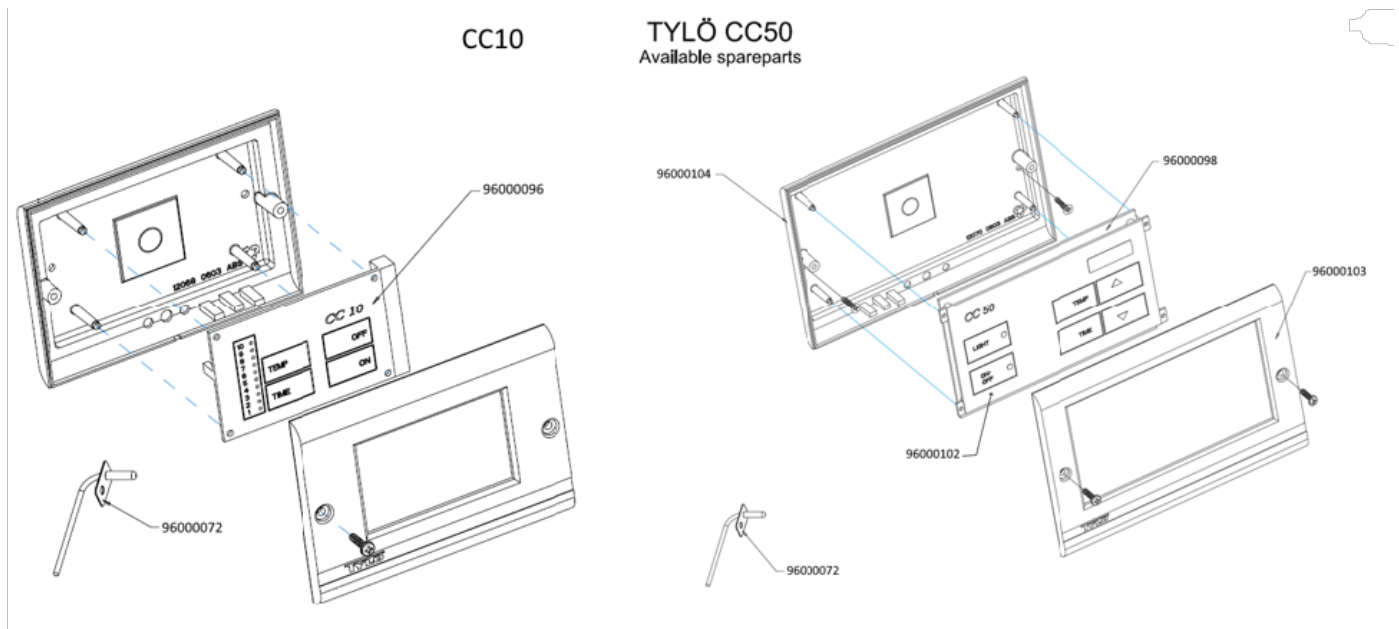
Art Nr:	E-Nummer:	Description:	Valid from/to:
96000009	9301312	TIMER 6POL 6H	-2021
96000012	9300030	TIMER 6POL 9+3H FAUCIGNY 2654	-2021
96000013	9300031	TIMER 6POL 12H FAUCIGNY 2657	-2021
96000014		TIMER 6POL 0+1 FAUCIGNY 2672	-2021
96000020	9300033	TERMOSTAT 55.34029.030.	-2021
96000021	9300034	TERMOSTAT 55.34027.010,3POL 5M	-2021
96000022	9300035	TERMOSTAT 55.40029.080	-2021
96000023	9300036	THERMOSTAT 55.40027.010,4POL 5M	-2021
96000024		TERMOSTAT EGO 55.40029.120	-2021
96000041		RELÄ 3POL 230V	-2021
96000076		SIGNALLAMPA SVART	-2021
96000110	9300045	VRED SVART (2312)	-2021
96000111	9300046	VRED SVART (2313)	-2021
96000121		PANELKÅPA LOCK TS SVART	-2021

TYLÖ TS16/TS30 Available spareparts



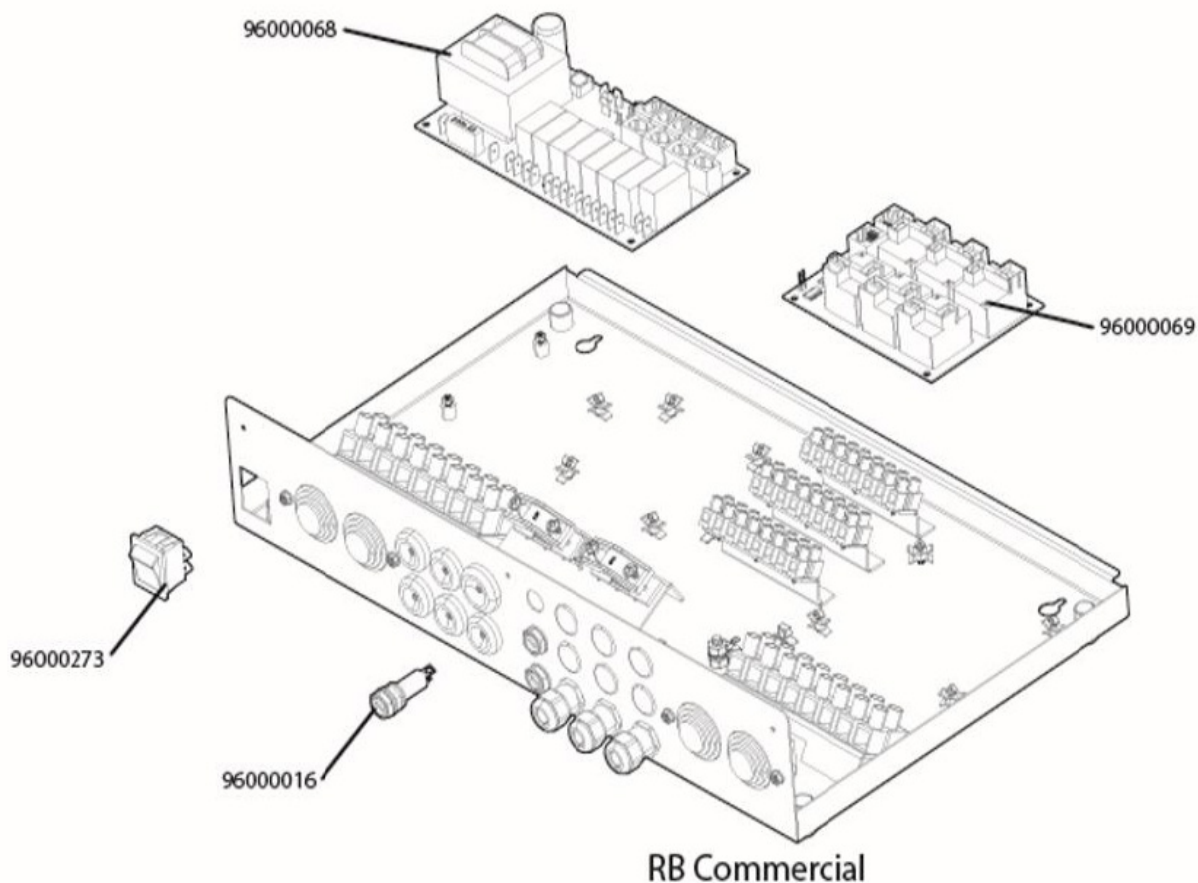
CC10/CC50 MANÖVERPANEL

Art Nr:	E-Nummer:	Description:	Valid from/to:
96000005		SENSOR/TEMP SKYDD 130GR	2012-2015
96000072	9300041	TEMPERATUR SENSOR 10KOHM 4,0M	-2015
96000075		FÖRSTÄRKARE NM	-2018
96000096		KRETSKORT CC10	-2014
96000098		KRETSKORT CC50 NM	-2017
96000102		FRONTPLÅT CC50	-2017
96000103		PANELKÅPA CC50/CC300 LOCK	2009-
96000104		PANELKÅPA CC50/CC300 BOTTEN	2009-
96000546	9301357	MANÖVERPANEL CC50	1995-2017



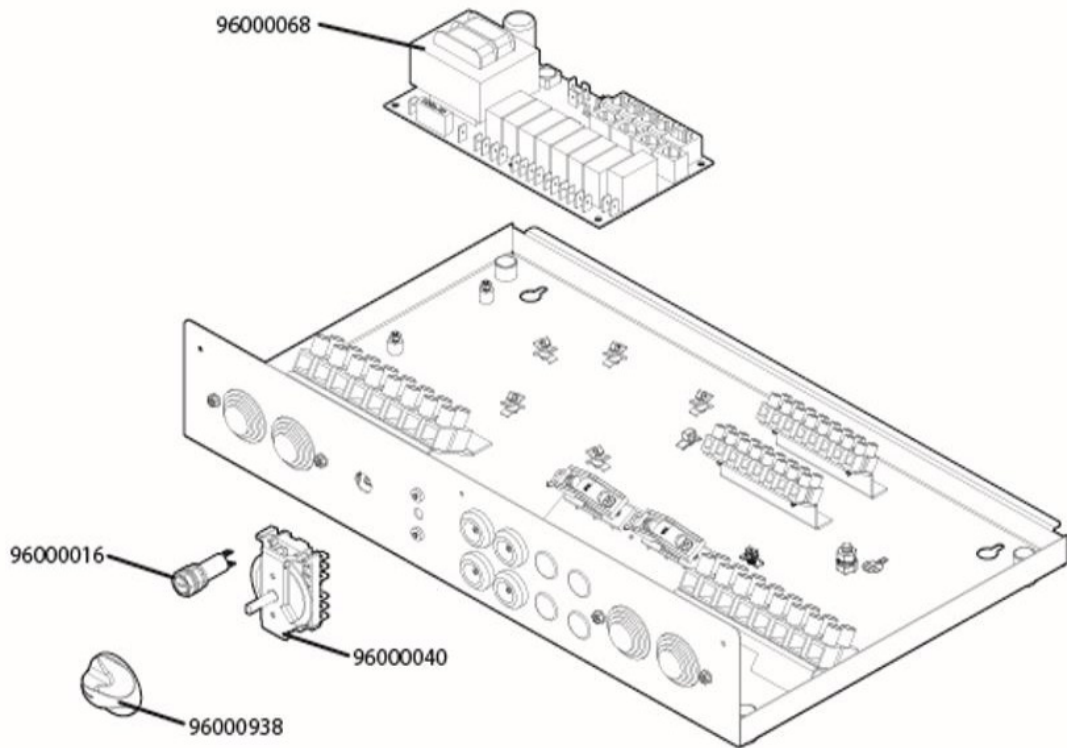
RELÄBOX COMMERCIAL

Art Nr:	E-Nummer:	Description:	Valid from/to:
96000068	9301316	RELÄKORT HIGH	2017-
96000069	9301318	RELÄKORT ADDON	2017-
96000273		STRÖMBRYTARE RB/STEAM COMMERCIAL	2017-
96000219	9301326	TEMP SENSOR 10KOHM 4,0M RJ10	2017-



RELÄBOX COMMERCIAL LITE

Art Nr:	E-Nummer:	Description:	Valid from/to:
96000068	9301316	RELÄKORT HIGH	2017-
96000040	9300039	STRÖMBRYTARE GOTTAK 6POL	2017-
96000219	9301326	TEMP SENSOR 10KOHM 4,0M RJ10	2017-

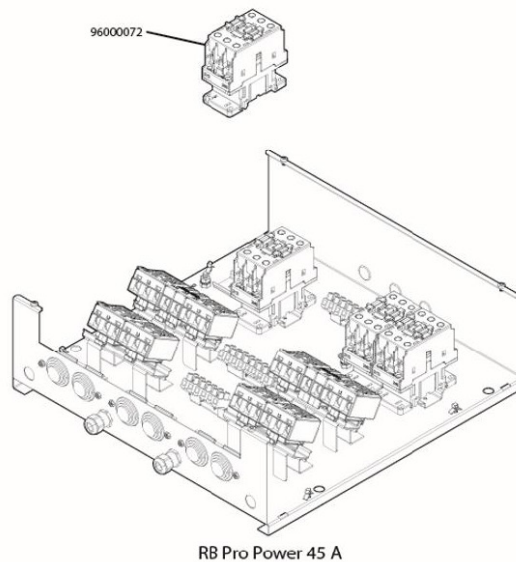
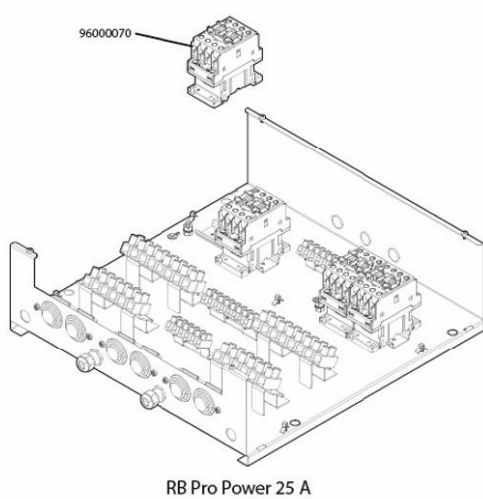
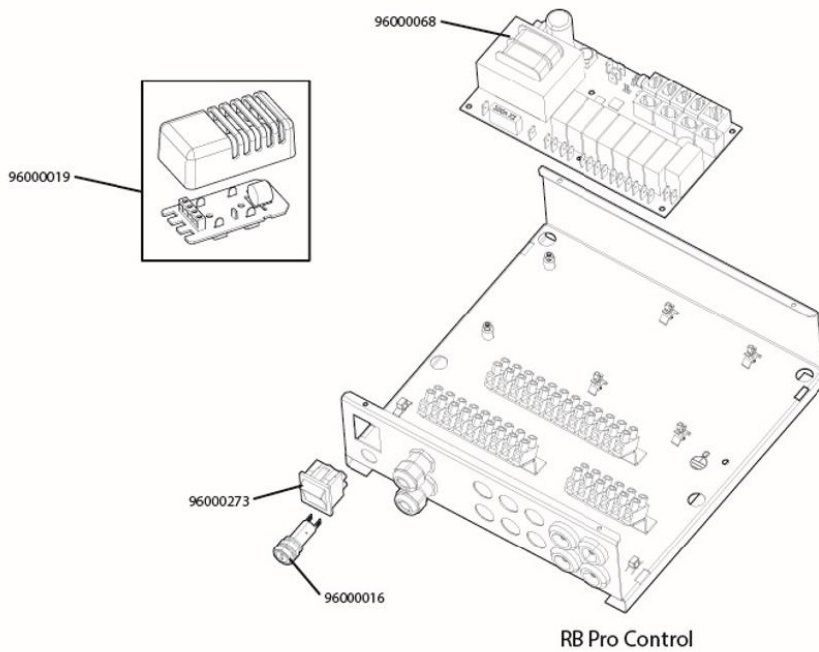


RB Commercial Lite



RELÄBOX PRO CONTROL / RELÄBOX PRO POWER 25/45

Art Nr:	E-Nummer:	Description:	Valid from/to:
96000016		SÄKRINGSHÅLLARE	2026-
96000017		GLASSÄKRING 1A 250VAC 3-PACK	2026-
96000018		GLASSÄKRING 10A 250VAC 3-PACK	2026-
96000019		OLET 31 SVART	2026-
96000068	9301316	RELÄKORT HIGH	2026-
96000273		STRÖMBRYTARE RB/STEAM COMMERCIAL	2026-
96001070		KONTAKTOR RB PRO P.25	2026-
96001072		KONTAKTOR RB PRO P.45	2026-

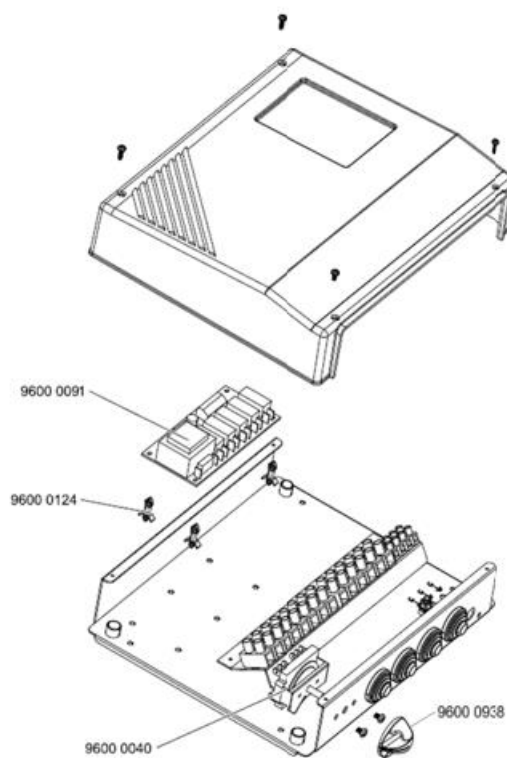


RELÄBOX30/RELÄBOX60

Art Nr:	E-Nummer:	Description:	Valid from/to:
96000040	9300039	STRÖMBRYTARE GOTTAK 6POL	1997-2017
96000072	9300041	TEMPERATUR SENSOR 10KOHM 4,0M	1997-2017
96000091	9300044	CIRCUIT CARD RB-5	1997-2017
96000938		RATT SVART RS	1997-2017
96000124		KRETSKORTSCLIPS 12,5MM 4ST	1997-2017

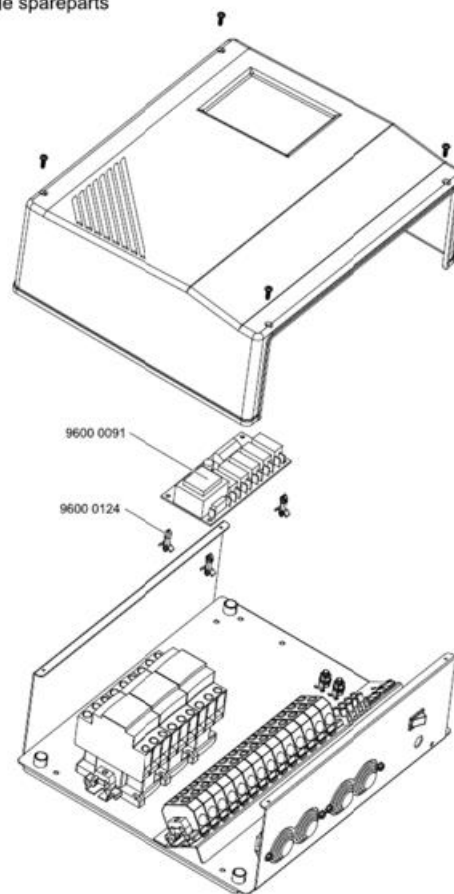
TYLÖ RB30

Available spareparts



TYLÖ RB60

Available spareparts



IMPRESSION BASTU

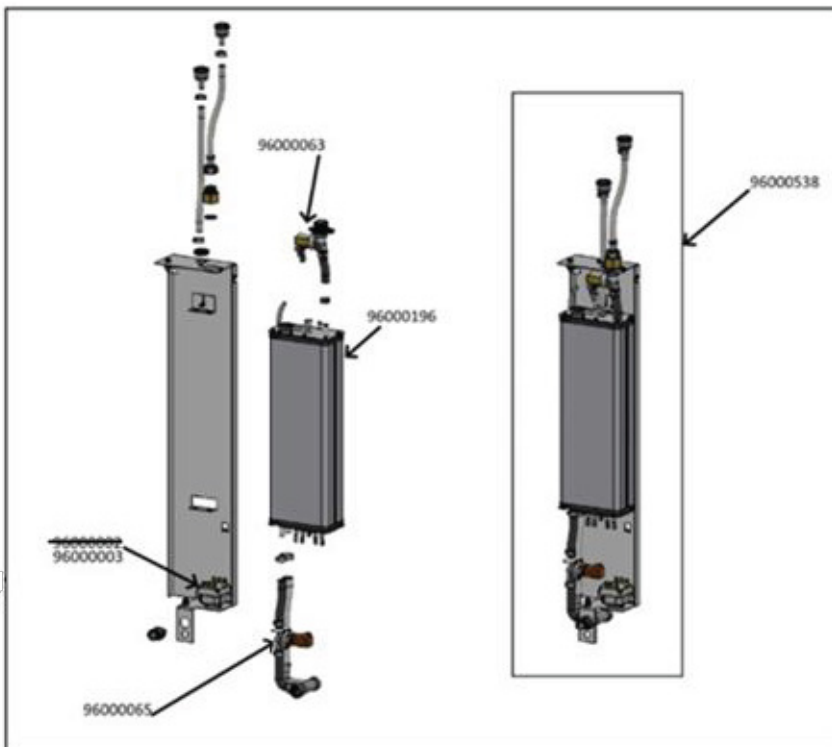
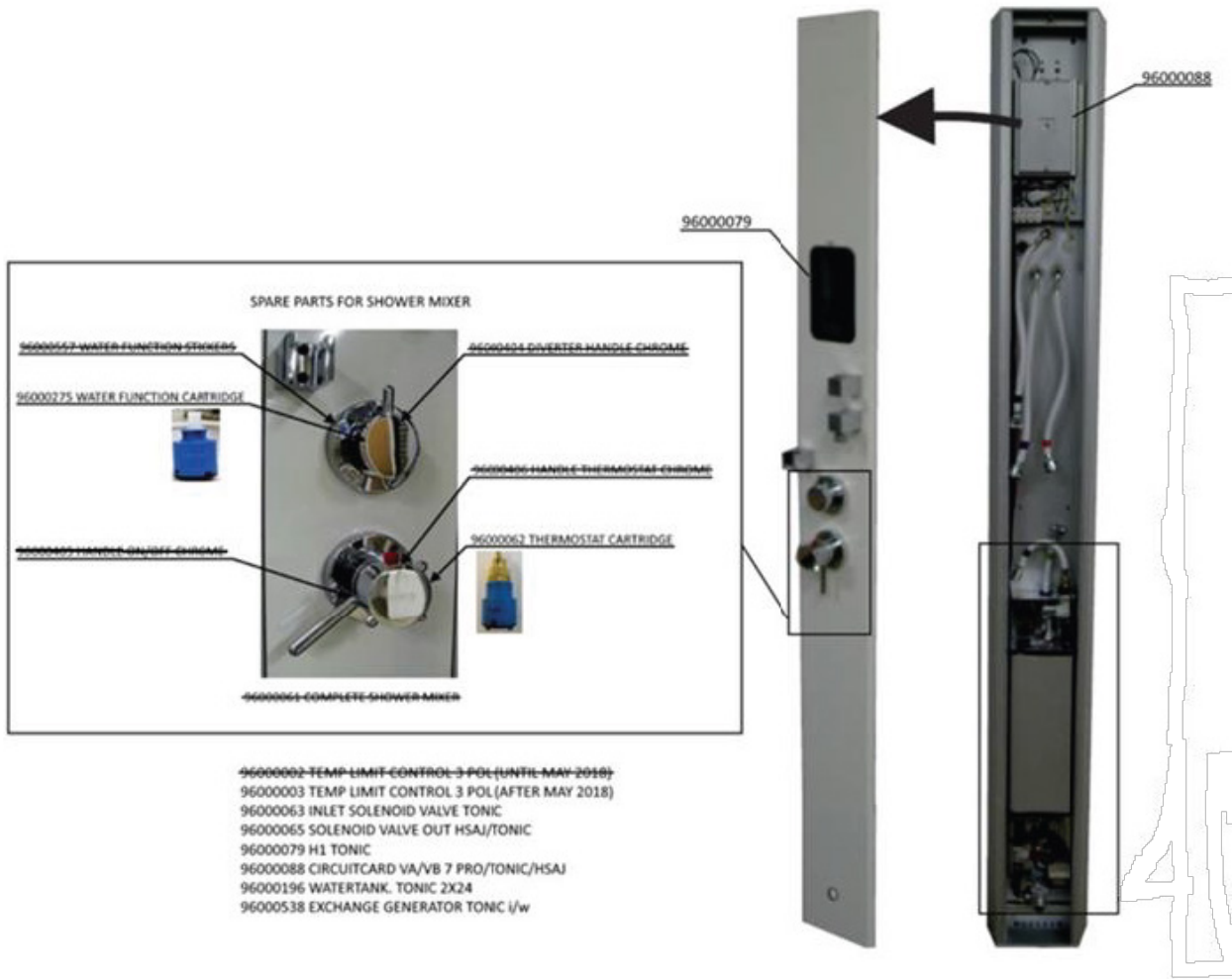
Art Nr:	E-Nummer:	Description:	Valid from/to:
96000549		AVRINNINGSLIST IMPRESSION 745MM	2009-2019
96000551		GLASSEKTION 800X2000 IMPRESS.	2009-2019
96000552		GLASSEKTION 400X2000 IMPRESS.	2009-2019
96000571		DÖRRSTABILISATOR IMPR. SVART	2009-2019

IMPRESSION ÅNGA

Art Nr:	E-Nummer:	Description:	Valid from/to:
96000003	9300027	TEMP.SKYDD 122-9°C 3POL	2009-
96000062	9301314	TERMOSTAT 99027099 BOSSINI	2009-
96000063		MAGNETVENTIL IN TONIC	2009-
96000065		MAGNETVENTIL UT HSAJ/TONIC	2009-
96000079		H1 TONIC MED KÅPA	2009-
96000088	9300043	KRETSKORT VA/VB/TONIC/HSAJ	2009-
96000196		VATTENBEH. TONIC 2X24	2009-
96000272		TAKDUSCH IMPRESSION Ø 225	2009-
96000275		FUNKTIONSVÄLJARE BOSSINI	2009-
96000276		HÅRSIL FÖR IMPRESSION KAR	2009-
96000404		VRED-OMKASTARE-KROM	2009-
96000405		HANDTAG ON/OFF-KROM	2009-
96000538		UTBYTESGENERATOR TONIC i/w	2009-
96000548		DUSCHHUVUD TONIC-NM	2009-
96000549		AVRINNINGSLIST IMPRESSION 745MM	2009-
96000550		HYLLA IMPRESSION (2PACK)	2009-
96000551		GLASSEKTION 800X2000 IMPRESS.	2009-
96000552		GLASSEKTION 400X2000 IMPRESS.	2009-
96000553		UPPSAMLARE GRACE	2009-
96000558		GRACE STEAM-OUTLET	2009-
96000565		AVLOPPSSATS IMPRESSION-KAR	2009-
96000570		PLASTFOT I66/I44 (4 PACK)	2009-

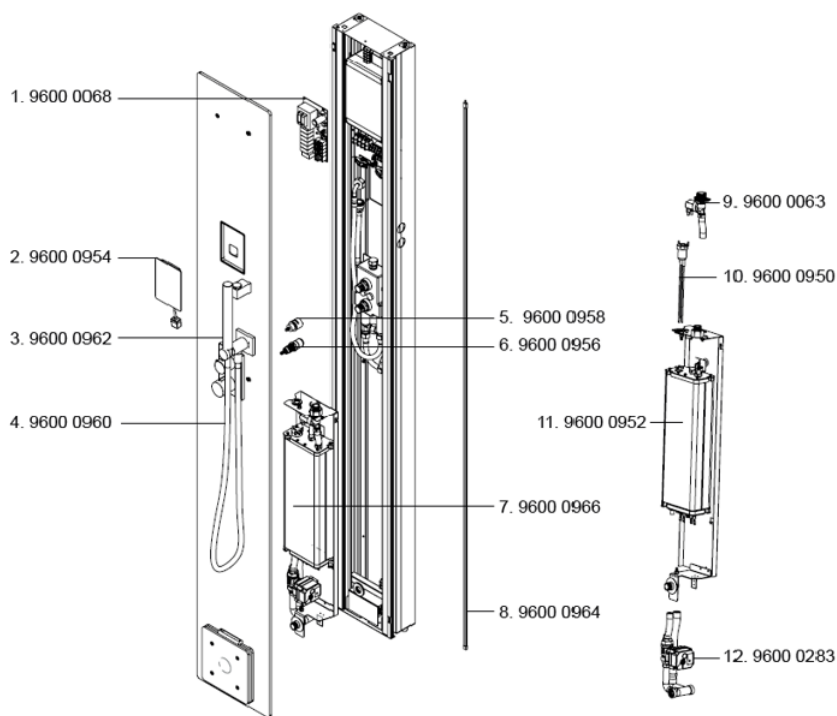


TX202i/w SPAREPARTS



STELLA / VISTA

Art Nr:	E-Nummer:	Description:	Valid from/to:
96000003	9300027	TEMP.SKYDD 122-9°C 3POL	2021-
96000068	9301316	RELÄKORT HIGH	2021-
96000954		MANÖVERPANEL TYLÖ ELITE +	2021-
96000962		DORNBRACT DUSCHHANDTAG KROM	2021-
96000960		DORNBRACT DUSCHSLANG KROM	2021-
96000958		DORNBRACT VATTEN VÄLJARE	2021-
96000956		DORNBRACT TERMOSTAT	2021-
96000966		ÅNGGENERATOR KOMPLETT STELLA	2021-
96000964		LED LIST 4x8x1870MM 2 ST.	2021-
96000063		MAGNETVENTIL IN TONIC	2021-
96000950		ELEKTRODBUSSNING STELLA	2021-
96000952		VATTENTANK RESERVDEL STELLA	2021-
96000283		MINI MOTORKULVENTIL 1/2"	2021-
96000949		DOFTSKÅL BAHIA	2021-
96000955		VATTENVÄLJARVRED KROM	2021-
96000957		TERMOSTATVRED KROM	2021-
96000959		VATTENVÄLJARVRED MÄSSING	2021-
96000961		TERMOSTATVRED MÄSSING	2021-
96000963		VATTENVÄLJARVRED SVART	2021-
96000965		TERMOSTATVRED SVART	2021-



- | | |
|-------------------------------|-----------|
| 1. Relay board High | 9600 0068 |
| 2. Elite + control panel | 9600 0954 |
| 3. Hand shower, Dornbracht | 9600 0962 |
| 4. Hose, Dornbracht | 9600 0960 |
| 5. Water selector, Dornbracht | 9600 0958 |
| 6. Thermostat, Dornbracht | 9600 0956 |
| 7. Complete steam generator | 9600 0966 |
| 8. LED strip (2-pack) | 9600 0964 |
| 9. Solenoid valve | 9600 0063 |
| 10. Electrode bushing | 9600 0950 |
| 11. Water reservoir | 9600 0952 |
| 12. Motorised ball valve 1/2" | 9600 0283 |



BASTUDÖRR DGB/DGL

Art Nr:	E-Nummer:	Description:	Valid from/to:
96000138		GÅNGJÄRN GRÅ	2012-
96000203		TÄCK LOCK B 4-pack	2012-
96000503		MAGNETLÅS DGB	2012-
96000505		TÄCKPLUGG ASP 17X12 (10-PACK)	2012-
96000523		HANDTAG DGB/DGM ASP-ASP	2012-
96000526		HANDTAG DGB/DGM AL-AL	2012-
96000528		TÄTNINGSLIST DÖRR DGB 5,2M	2012-
96000529		MAGNETLIST DÖRR DGL 2,4M	2012-
96000974		HANDTAG DGL ASP-ASP	2012-
96000976		HANDTAG DGL AL-AL	2012-
96000978		HANDTAG DGL THASP-THASP	2012-

BASTUDÖRR DGM

Art Nr:	E-Nummer:	Description:	Valid from/to:
96000138		GÅNGJÄRN GRÅ	-2012
96000203		TÄCK LOCK B 4-pack	-2012
96000500		MAGNETLÅS STOR 5120	-2012
96000501		BLECK TILL MAGNETLÅS STOR 5120	-2012
96000502		MAGNETLÅS LITEN DGM NM	-2012
96000523		HANDTAG DGB/DGM ASP-ASP	-2012
96000526		HANDTAG DGB/DGM AL-AL	-2012
96000527		TÄTNINGSLIST 5,2M DGM	-2012

ÅNGDÖRRAR 50G/60G/101G/ALULINE

Art Nr:	E-Nummer:	Description:	Valid from/to:
96000138		GÅNGJÄRN GRÅ	2003-
96000203		TÄCK LOCK B 4-pack	2003-
96000140		MGN LIST 1945X12MM15107 SILVER	2003-
96000141		MGN LIST 694X12 15107 SILVER	2003-
96000148		HANDTAG ÅNGDÖRR 60G/101G/IMP ALU-ALU	2003-
96000150		AVRINNINGSLIST GRÅ 667MM	2003-
96000151		AVRINNINGSLIST GRÅ 897MM	2003-
96000970		HANDTAG ALULINE ALU-AL	2003-

HARMONY DÖRR

Art Nr:	E-Nummer:	Description:	Valid from/to:
96000581		GÅNGJÄRN GF/GC GLAS-GLAS	2017-
96000582		GÅNGJÄRN GF/GC GLAS-TRÄ	2017-
96000579		HANDTAG DGL VERTIKALT ASP-ASP	2017-
96000580		HANDTAG DGL VERTIKALT THASP-THASP	2017-
96000577		HANDTAG DESIGN ASK/ROSTFRI	2017-
96000974		HANDTAG DGL ASP-ASP	2017-
96000976		HANDTAG DGL AL-AL	2017-
96000978		HANDTAG DGL THASP-THASP	2017-



PANACEA ÅNGBAD

Art Nr:	E-Nummer:	Description:	Valid from/to:
96000518		HINGE PANACEA BLACK	2014-
96000972		HANDTAG PANACEA SVART-SVART	2014-
96000555		AVRINNINGSLIST PANACEA	2014-

REFLECTION BASTURUM

Art Nr:	E-Nummer:	Description:	Valid from/to:
96000980		HANDTAG 700 HES VALCHR/VALCHR	2023-
96000986		GÅNGJÄRN GLAS- GLAS SVART	2023-

BELYSNING

Art Nr:	E-Nummer:	Description:	Valid from/to:
96000215		LAMPA 12V 3W XENON 3ST	-2020
96000510		GLASKUPA TILL 60W ARMATUR	-2017
96000204		RUBEN SKY LED-LAMPA	2015-
96000213		MOTTAGARE / FJÄRRKONTROLL	2015-



Infrakabin PRIME +

Art Nr:	E-Nummer:	Description:	Valid from/to:
96000676		PRIME+ GÅNGJÄRN 6MM MED GUMMIP.	2013-2020
96000777		GASKET GLASS PRIME+SF	2013-2020
96000802		PRIME+ VER2 BLACK FRAME PLAST	2013-2015
96000804		PRIME+ VER2 MAIN CTRL BOX	2013-2020
96000806		PRIME+ VER2 LOW VOLTAGE BOX	2013-2015
96000810		PRIME+ VER2 READ LIGHT LED 3W	2013-2020
96000812		PRIME+ VER2 COLOR LIGHT RGB	2013-2020
96000814		PRIME+ VER2 VALANCE LIGHT LED	2013-2020
96000816		PRIME+ VER2 THERM SENSOR PCB	2013-2020
96000822		PRIME+ VER2 HANDLE WHITE 230	2013-2020
96000840		PRIME+ 99 FLOOR TILE COMP.	2013-2020
96000841		PRIME+ 1210 FLOOR TILE COMP.	2013-2020
96000842		PRIME+ 1611 FLOOR TILE COMP.	2013-2020
96000843		PRIME+ 1811 FLOOR TILE COMP.	2013-2020
96000844		PRIME+ 1814 FLOOR TILE COMP.	2013-2020
96000845		PRIME+ 1313/C FLOOR TILE COMP.	2013-2020
96000846		PRIME+ 1515/C FLOOR TILE COMP.	2013-2020
96000848		PRIME+ NEW TOUCH SCREEN/BLUETOOTH CONT.	2015-2020
96000849		PRIME+ NEW LV PCB/BOX	2015-2020
96000850		PRIME+ BLUETOOTH/AUDIO PCB/BOX	2015-2020
96000852		PRIME+ VER2 VALANCE LIGHT LED	2015-2020
96000874		VÄRMEELEMENT 150W IR	2015-2020
96000876		VÄRMEELEMENT 100W-A IR	2015-2020
96000878		VÄRMEELEMENT 100W-B IR	2015-2020
96000880		VÄRMEELEMENT 110W IR	2015-2020
96000882		VÄRMEELEMENT 60W IR	2015-2020



Infrakabin TYLÖSAND

Art Nr:	E-Nummer:	Description:	Valid from/to:
96000676		PRIME+ GÅNGJÄRN 6MM MED GUMMIP.	2021-
96000777		GASKET GLASS PRIME+SF	2021-
96000804		PRIME+ VER2 MAIN CTRL BOX	2021-
96000860		LV-5 BOX 73055	2021-
96000862		BT BOX (W) BLUETOOTH PCA	2021-
96000864		TYLÖ CONTROL KIT IR2 WIFI	2021-
96000866		RGBW LED STRIP 120x15mm.	2021-
96000868		TEMPERATURE SENSOR IR	2021-
96000870		DÖRRHANDTAG KOMPLETT IR TYLÖ	2021-
96000872		MAGNETLÅS + BRICKA	2021-
96000874		VÄRMEELEMENT 150W IR	2021-
96000876		VÄRMEELEMENT 100W-A IR	2021-
96000878		VÄRMEELEMENT 100W-B IR	2021-
96000880		VÄRMEELEMENT 110W IR	2021-
96000882		VÄRMEELEMENT 60W IR	2021-
96000884		T810 BENCH RGB-LED	2021-
96000885		T820 BENCH RGB-LED	2021-
96000886		T825 BENCH RGB-LED	2021-
96000887		T870 BENCH RGB-LED(SMALL)	2021-
96000888		T870 BENCH RGB-LED(LARGE)	2021-
96000889		T810 SKIRTING BLACK	2021-
96000890		T810 SKIRTING GREY	2021-
96000891		T820 SKIRTING BLACK	2021-
96000892		T820 SKIRTING GREY	2021-
96000893		T825 SKIRTING BLACK	2021-
96000894		T825 SKIRTING GREY	2021-
96000895		T870 SKIRTING LARGE BLACK	2021-
96000896		T870 SKIRTING SMALL BLACK	2021-
96000897		T870 SKIRTING LARGE GREY	2021-

